



Business Interoperability Specification



OpenPEPPOL AISBL



**Post Award Coordinating
Community**

**ICT -
Models**

BIS 3A – Order only



**Version: 4.0
Status: In use**



Statement of copyright

This PEPPOL Business Interoperability Specification (BIS) document is based on the CEN CWA prepared by the BII workshop specified in the Introduction below. The original CEN CWA document contains the following copyright notice which still applies:

© 2012 CEN All rights of exploitation in any form and by any means reserved worldwide for CEN national Members.

The CEN CWA documents and profiles prepared by the BII workshop are not specific to a business area. Subject to agreement with CEN, customizations have been made by PEPPOL to establish the PEPPOL BIS, detailing and adding further guidance on the use of BII profiles.

OpenPEPPOL AISBL holds the copyright in the customizations made to the original document. The customizations appear from the corresponding conformance statement which is attached to this document. For the purpose of national implementations, customizations covered by the conformance statement may be further refined and detailed by PEPPOL Authorities and/or other entities authorized by OpenPEPPOL AISBL, provided that interoperability with PEPPOL BIS is ensured. This PEPPOL BIS document may not be modified, re-distributed, sold or repackaged in any other way without the prior consent of CEN and/or OpenPEPPOL AISBL.

Table of Contents

1	INTRODUCTION TO OPENPEPPOL AND BIS	5
1.1	AUDIENCE	5
2	REFERENCES	6
3	DOCUMENT HISTORY	7
3.1	REVISION HISTORY	7
3.2	CONTRIBUTORS	7
4	PRINCIPLES AND PREREQUISITES	8
4.1	PEPPOL BIS 3A - SCOPE	8
4.2	PEPPOL BIS 3A - PARTIES AND ROLES	9
4.3	PEPPOL BIS 3A - BENEFIT	10
4.4	PEPPOL BIS 3A - INTEROPERABILITY	10
5	TRANSACTION BUSINESS REQUIREMENTS	12
5.1	GENERAL REQUIREMENTS	12
5.2	PARTIES	12
5.3	DELIVERY	13
5.4	LINE REQUIREMENTS	13
5.5	LEGAL REQUIREMENTS	13
5.6	SPECIFIC OPENPEPPOL REQUIREMENTS	14
6	CODE LISTS	15
6.1	CODE LISTS FOR CODED ELEMENTS	15
6.1.1	<i>Links to code lists</i>	15
6.2	CODELISTS FOR IDENTIFIER SCHEMES	15
7	BUSINESS RULES	16
7.1	ORDER BUSINESS RULES	16
7.2	CODELISTS BUSINESS RULES	17
8	PROCESS AND TYPICAL USE CASES	18
8.1	PROCESS FLOW	18
8.2	BUSINESS PROCESS DIAGRAM	19
8.2.1	<i>Legend for BPMN diagrams</i>	19
8.3	USE CASE 1 – ORDERING OF NUMBERED ITEMS/ARTICLES	20
8.4	USE CASE 2 – ORDERING OF FREE TEXT ARTICLES	20
8.5	USE CASE 3 – ORDERING OF SERVICES	20
8.6	USE CASE 4 – COMPLEX ORDERING	21
9	DESCRIPTION OF SELECTED PARTS OF THE ORDER MESSAGE	22
9.1	PARTIES	22
9.1.1	<i>SellerSupplierParty (Seller)</i>	22
9.1.2	<i>BuyerCustomerParty (Buyer)</i>	22
9.1.3	<i>OriginatorCustomerParty (Originator)</i>	23
9.1.4	<i>AccountingCustomerParty (Invoicee)</i>	23
9.2	ATTACHMENTS	24
9.3	PRODUCT IDENTIFICATION	25
9.4	PRODUCT NAME AND DESCRIPTION	25
9.5	QUANTITIES AND UNITS	26
9.6	PRICES	26
9.7	ALLOWANCES AND CHARGES	26
9.7.1	<i>General rules</i>	26
9.7.2	<i>Allowance and Charges on header level</i>	27
9.7.3	<i>Allowance and Charges related to price</i>	27
9.8	CALCULATION OF TOTALS (ANTICIPATEDMONETARYTOTALS)	27

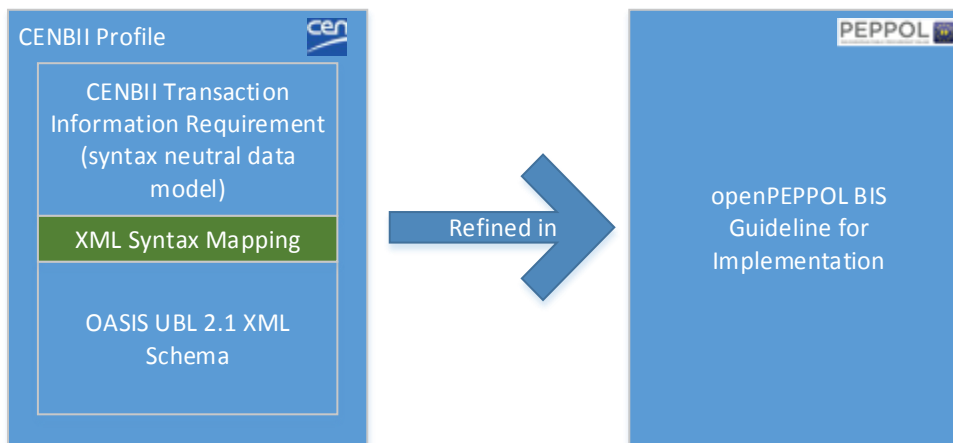
9.8.1	Example of calculations:	28
9.8.2	Element for rounding amount, the PayableRoundingAmount	29
9.9	TAX TOTAL	29
10	PEPPOL IDENTIFIERS	30
10.1	PARTY IDENTIFIERS	30
10.2	VERSION ID	30
10.3	PROFILE ID	30
10.4	CUSTOMIZATION ID	31
10.5	NAMESPACES	31
11	XML SCHEMA GUIDELINE AND INFORMATION CONTENT OF THE ORDER MESSAGE	32
11.1	STRUCTURE	32
11.2	DETAILS	36
12	APPENDICES	59
12.1	APPENDIX A	59
12.2	APPENDIX B	59

1 Introduction to openPEPPOL and BIS

This BIS is a result of work within openPEPPOL and is published as part of the PEPPOL specifications.

This PEPPOL BIS provides a set of specifications for implementing a PEPPOL business process. The document is concerned with clarifying requirements for ensuring interoperability of pan-European Public eProcurement and provides guidelines for supporting these requirements and how to implement them. This PEPPOL BIS is based on the CEN WS/BII2 Profile “BII Profile 03 Order Only”.

The purpose of this document is to describe a common format for the order message in the European market, and to facilitate an efficient implementation and increased use of electronic collaboration regarding the ordering process based on this format.



1.1 Audience

The audience for this document is organizations wishing to be PEPPOL enabled for exchanging electronic orders, and/or their ICT-suppliers. These organizations may be:

- ▶ Service providers
- ▶ Contracting Authorities
- ▶ Economic Operators
- ▶ Software Developers

More specifically it is addressed towards the following roles:

- ▶ ICT Architects
- ▶ ICT Developers
- ▶ Business Experts

For further information on PEPPOL/OpenPEPPOL please see [COMMON BIS].

2 References

[PEPPOL]	http://www.peppol.eu/
[PEPPOL_EIA]	http://www.peppol.eu/peppol_components/peppol-eia/eia
[PEPPOL_PostAward]	http://www.peppol.eu/peppol_components/peppol-eia/eia#ict-architecture/post-award-e-procurement/models
[PEPPOL_Transp]	http://www.peppol.eu/peppol_components/peppol-eia/eia#ict-architecture/transport-infrastructure/models
[COMMON BIS]	To be developed
[CEN_BII2]	http://www.cenbii.eu
[BII_Order]	ftp://ftp.cen.eu/public/CWAs/BII2/CWA16562/CWA16562-Annex-A-BII-Profile-03-OrderOnly-V2_0_0.pdf
[BII_OrderModel]	A browsable HTML version: http://spec.cenbii.eu/BII2/fxhtml/Trdm001-Order/g_1.htm?http://spec.cenbii.eu/BII2/fxhtml/Trdm001-Order/g_5.htm
[UBL]	http://docs.oasis-open.org/ubl/UBL-2.1.html
[UBL_Order]	http://docs.oasis-open.org/ubl/os-UBL-2.1/xsd/maindoc/UBL-Order-2.1.xsd
[Schematron]	http://www.schematron.com
[XSLT]	http://www.w3.org/TR/xslt20/
[DIR_2009/101/EC]	Council Directive 2009/101/EC of 16 September 2009, Article 5: Member States shall prescribe that letters and order forms, whether they are in paper form or use any other medium , are to state the following particulars..., found at: http://eur-lex.europa.eu/LexUriServ/LexUriServ.do?uri=CELEX:32006L0112:EN:NOT
[DIR_2006/112/EC]	Council Directive 2006/112/EC of 28 November 2006 on the common system of value added tax, found at: http://eur-lex.europa.eu/LexUriServ/LexUriServ.do?uri=CELEX:32006L0112:EN:NOT
[DIR_1999/93/EC]	Directive 1999/93/EC of the European Parliament and of the Council of 13 December 1999 on a Community framework for electronic signatures, found at: http://eur-lex.europa.eu/LexUriServ/LexUriServ.do?uri=CELEX:31999L0093:EN:NOT
[EIF]	European Interoperability Framework 2.0, found at: http://ec.europa.eu/isa/library/index_en.htm http://ec.europa.eu/isa/documents/isa_annex_ii_eif_en.pdf
[GS1 Keys]	http://www.gs1.org/barcodes/technical/id_keys

3 Document history

3.1 Revision history

Version	Date	Author	Organisation	Description
1.0	30.04.2010	Klaus V. Pedersen	Difi	First version (pending EC approval)
1.1	29.09.2010	Sverre Bauck	Difi	Proposed further development of version
1.2	12.10.2010	Sverre Bauck	Difi	Incorporation of commented proposals
1.3	28.10.2012	Klaus V. Pedersen Andrea Leutgeb	Difi PEPPOL.AT	Updated chapter 1
2.0	29.11.2010	Andrea Leutgeb	PEPPOL.AT	Second version (pending EC approval)
2.02	05.09.2011	Bergthor Skulason	NITA	Approved by EC
2.10	30.11.2011	Bergthor Skulason	NITA	Update business rules and codelists. Setup guideline as separate document.
3.0	20.11.2011	Bergthor Skulason	NITA	3 rd version.
4.0	25.11.2013	Erik Gustavsen	Difi/Edisys Consulting AS	4 th version.

3.2 Contributors

Are Berg, Difi, NO
 Jan Mærøe, Difi, NO
 Olav Kristiansen, Difi, NO
 Martin Forsberg, SFTI, SE
 Thomas Pettersson, SFTI, SE
 Sven Rostgaard Rasmussen, DIGST, DK
 Ole Ellerbæk Madsen, DIGST, DK
 Arianna Brutti, Intercent-ER, IT
 Oriol Bausà, Invinet ES
 Christian Druschke, Capgemini, NO
 Anders Kingstedt, OpenPEPPOL
 Jaroslav Flejberk, GS1
 Jostein Frømyr, Difi, NO
 Erik Gustavsen, Difi, NO

4 Principles and prerequisites

This chapter describes the principles and assumptions that underlie the use of PEPPOL Ordering. It is based on the CEN BII 03 Order Only. See [BII_Ordering]

4.1 PEPPOL BIS 3A - Scope

This BIS describes a process comprising a Buyer to issue an electronic order without an order confirmation by the Seller.

The main activities supported by this profile are:

Structured Ordering

The Order transaction should support the structured ordering of goods or services, using free text or use of identifiers. The information source of the ordered products may be a (paper or electronic) catalogue.

Accounting

The ordering process must support the allocation of budgets, so the value amounts of the ordered products may be stated. The buyer may provide some information that the seller is required to place on the invoice for aiding and automation of invoice processing.

Invoice Verification

The buyer may provide some information that the seller is required to place on the invoice for aiding and automation of invoice approval.

VAT reporting

VAT reporting is not a general requirement on orders. The level of support in orders is to

- ▶ Enable VAT reporting in invoices by providing VAT number of buyer in case of reverse charges.
- ▶ VAT can be stated as an estimate to enable buyers to state expected value of order. This can be helpful in automated matching of orders and invoices. VAT information is informative and does not affect the terms of trade.

Transport and delivery

Only limited support is in scope for transport related information, but it is recognized that the buyer needs to be able to provide some information about requested delivery location, some basic term, time and contact persons for a delivery of an order.

Inventory

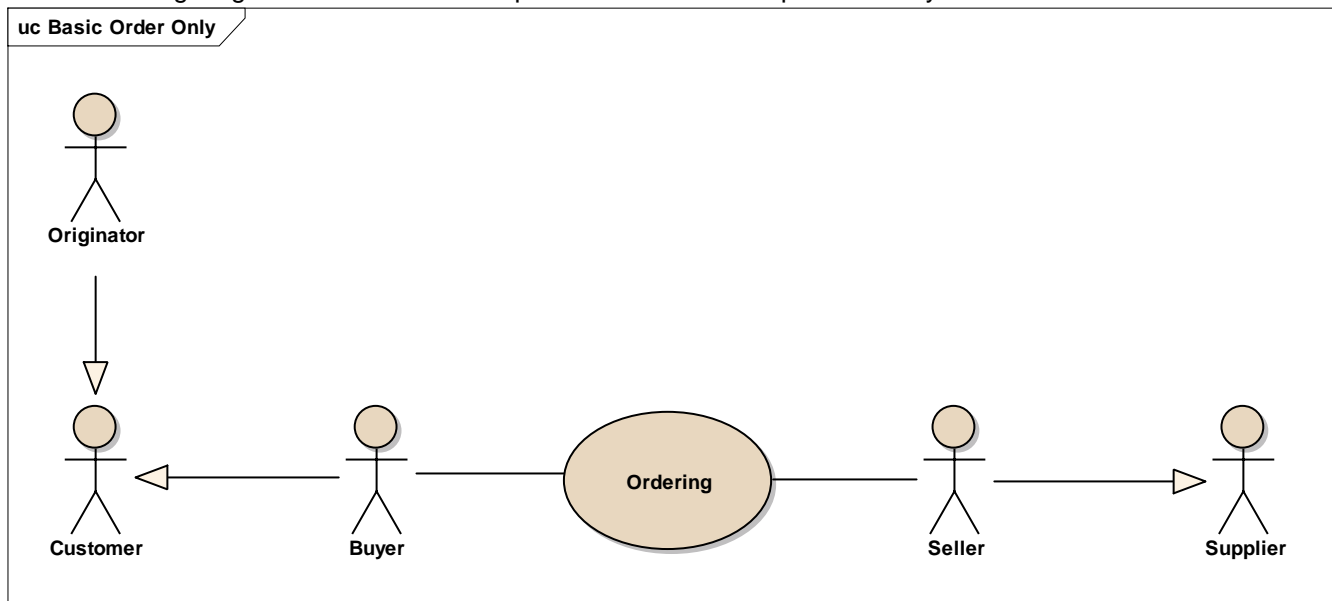
Supporting inventory management is not in scope, but structured orders based on catalogues can be used to automate picking at supplier warehouses.

4.2 PEPPOL BIS 3A - Parties and roles

The table below gives the definitions of the parties and roles of the ordering process.

Business partners	Description
Customer	The customer is the legal person or organization who is in demand of a product or service. Examples of customer roles: buyer, consignee/delivery part, debtor, contracting authority, originator.
Supplier	The supplier is the legal person or organization who provides a product or service. Examples of supplier roles: seller, consignor, creditor, economic operator.
Role/actor	Description
Buyer (BuyerCustomerParty)	The buyer is the legal person or organization acting on behalf of the customer and who buys or purchases the goods or services.
Seller (SellerSupplierParty)	The seller is the legal person or organization acting on behalf of the supplier and who sells goods or services to the customer.
Originator (OriginatorCustomerParty)	A person or unit that initiates an order.
Invoicee (AccountingCustomerParty)	A person or unit that receives the invoice (invoicee) on behalf of the customer.

The following diagram links the business processes to the roles performed by the Business Partners.



4.3 PEPPOL BIS 3A - Benefit

Based on success with automation of invoicing, there is a growing interest in automation of ordering also. This approach has two dimensions: Support further automation of invoicing and using structured catalogues as basis for ordering. Implementing this BIS is an important step for many companies and government agencies towards full procurement automation.

For the sellers, the approval, picking and invoicing can be automated significantly.

For the procuring agency, approval and accounting of invoices can be automated and ordering can be structured by use of catalogues.

Other potential benefits of using this BIS are, among others:

- ▶ Can be used by procuring agencies as step towards automation of procurement. The flexibility of the specifications allows the buyers to gradually automate and structure ordering, based on a cost/benefit approach.
- ▶ SME can offer their trading partners the option of exchanging standardized documents in a uniform way and thereby move all orders into electronic form.
- ▶ Large companies can implement this BIS as standardized documents for general operations and implement custom designed bi-lateral connections for large trading partners.
- ▶ Can be used as basis for restructuring of in-house processes of orders and invoices.
- ▶ Significant saving can be realized by the procuring agency by automating and streamlining in-house processing.
- ▶ Significant saving can be realized by the sellers by automating and streamlining in-house processing. Linking to picking and invoicing can be improved significantly based on increased order quality, restructuring of invoice dispute resolution and shorter payment cycles.
- ▶ For the procuring agency, invoice automation and ordering can be structured.

4.4 PEPPOL BIS 3A - Interoperability

This PEPPOL BIS structure is based on the European Interoperability Framework 2.0. PEPPOL BIS applies the Framework as follows:

1. Organizational interoperability

- ▶ Organization (Organization/Business):
 - This PEPPOL BIS supports B2B and B2G
 - This PEPPOL BIS supports cross border, regional and domestic ordering in EU and EEA
 - This PEPPOL BIS can function as a component in an EDI agreement within a trading community
 - This PEPPOL BIS supports linking of business processes within the sending and receiving organization. The process of order transmission in electronic form can be linked into internal processes of both sender and receiver, which may differ for various reasons.
- ▶ Organization (Process):
 - This PEPPOL BIS supports a set of “common business processes” that are assumed to be supported by most enterprises whether public or private. These are processes that are used widely or understood as being relevant for most companies.

2. Semantic interoperability

- ▶ Semantic:

The set of information elements is assumed to be sufficient to support organizational business and processing requirements stated above.

 - A CORE Order:
 - Data model, a set of elements that the receiver MUST be able to process.

- Business rules, a set of business rules that ensure a common way of processing the information elements. The rules are stated in a way that allows for automated validation of document instances. Issuers and receivers can verify that the exchanged document conforms to the rules of this BIS.

PEPPOL adds business rules on top of the data model to clarify certain design choices left open by the CEN BII. These choices are intended to lower the implementation threshold by limiting options for implementers and thereby increase interoperability of PEPPOL invoices.

3. Technical interoperability

- ▶ Technical Interaction (Process and semantic implementation):
 - Binding to OASIS UBL 2.1, see [UBL]
 - ISO/IEC 19757-3 Schematron, for automation of document validation, see [Schematron]
 - XSLT Stylesheet for presentation of content, see [XSLT]
- ▶ Technical Interaction (eSignature Validation):
 - Not mandatory in this PEPPOL BIS. Not supported.

5 Transaction business requirements

5.1 General requirements

ID	Requirement
tbr01-001	To control the validation and processing of an order; information that identifies the data model customization used and the business process that the order is part of
tbr01-002	An order must provide information about its identity, type (purchase order or consignment order), issue date and validity
tbr01-003	To provide flexibility in ordering an order must provide for free text notes on document level as well as on individual order lines.
tbr01-004	An order must provide for information about the value of items ordered and what prices, charges and totals (including estimate of VAT) are expected to be paid in a way that can be matched against an invoice.
tbr01-005	The order must enable the buyer to send information that can be reported back in a resulting invoice with the purpose of automating the processing of the invoice.
tbr01-006	The order must enable the buyer to reference contract and documents that are relevant to prices and terms, including terms of delivery.
tbr01-030	The order must support information needed to specify estimated allowance and charges on document level that apply to the order as a whole.
tbr01-031	All amounts in the Order must be stated in the same currency.
tbr01-032	Order should only contain non-negative prices and quantities

5.2 Parties

ID	Requirement
tbr01-010	An electronic order must provide for the identification of the electronic address from which the buyer sent the message and the electronic address to which it should be sent.
tbr01-011	For supporting reverse charge VAT invoicing the order must provide for the buyers VAT number in order to enable the seller to issue legally valid invoices. In some cases the buyer's legal registration ID should also be provided. The legal registration ID may be used for identification purposes in the invoicing process and to verify the identity of parties for commercial purposes.
tbr01-012	An order must provide for legal information for the buyer. Ref. [DIR_2009/101/EC]
tbr01-013	An order must provide for contact information for the buyer and the seller including structured name, phone, fax and email and job title.
tbr01-009	An order must provide for identifying the buyer and seller with name and address as well as identifiers, including the sellers' legal registration ID. Use of published identifiers is common for identifying parties. Each party should be free to choose the scheme from which the own identification is derived.
tbr01-020	An order must provide for contact details of the party who originated the order as a whole or for individual order lines (i.e. the end user of the items).

5.3 Delivery

ID	Requirement
tbr01-021	An order must provide for details about delivery location (address and ID), some basic delivery terms, delivery time and contact person for a delivery of an order.
tbr01-022	An order must provide for information about the dates before and/or after which the order as whole or individual order lines must be delivered.
tbr01-033	An order line must provide for indication on whether the buyer accepts partial deliveries of that line.
tbr01-038	Basic delivery terms for transport <ul style="list-style-type: none"> ▶ Transport location ▶ Transport terms

5.4 Line requirements

ID	Requirement
tbr01-025	Each line in an order must be clearly identified to enable referencing from other documents.
tbr01-027	An order must provide for information about the final price that the buyer expects to pay exclusive of any VAT. This makes it possible for the seller to verify against his price lists and contracts. An order must provide for giving the base quantity to which the price applies.
tbr01-028	An order line must provide for information about the quantity ordered and its unit of measure.
tbr01-029	An order line must provide for detailed identification of the ordered item or variant of the item including name, identifiers, description as well as the values for different item properties, diagrams and specifications.
tbr01-034	An order line must provide for seller identifiers and standard identifiers for products
tbr01-035	It must be possible to state informative price discounts and amounts already paid.

5.5 Legal requirements

This chapter describes the legal scope for adoption of PEPPOL Business Interoperability Specifications (BIS) 3a – Order only. These requirements apply to Businesses and Governments (B2G) who reside in countries whose eProcurement legal frameworks are aligned with requirements as stated in this specification.

Legal requirements to be supported by this BIS. Ref. [DIR_2009/101/EC]

- ▶ the information necessary in order to identify the register in which the file mentioned in Article 3 is kept, together with the number of the company in that register;
- ▶ the legal form of the company, the location of its registered office and, where appropriate, the fact that the company is being wound up.
- ▶ Where, in those documents, mention is made of the capital of the company, the reference shall be to the capital subscribed and paid up.
- ▶ Member States shall prescribe that company websites are to contain at least the particulars mentioned in the first paragraph and, if applicable, a reference to the capital subscribed and paid up.

5.6 Specific OpenPEPPOL requirements

ID:	Business term:	Description:
	HEADER LEVEL:	
OP-T01-010	Buyers contact ID	An order must support the use of ID for buyers contact person. On the order the information is mandatory in Norwegian markets, and recommended in others. Normally used for “Your reference”.
OP-T01-011	Invoicee	An order must support the use of invoicee information. Content will be the same as for buyer except contact information. Norwegian, Swedish and Danish requirement.
OP-T01-014	Payment instructions and terms	An order must support specification of payment terms as plain text. Italian requirement.
	LINE LEVEL:	
OP-T01-012	Item specification reference	There is a need to refer to an external document (ID) when it is necessary to specify the details of the item. This could be an instruction on how an item should be assembled or configured. Swedish requirement.
OP-T01-013	AdditionalItemProperty: Value quantity and value qualifier	Value quantity and value qualifier has been added to the AdditionalItemProperty element to harmonize with PEPPOL BIS Catalogue.

6 Code lists

6.1 Code lists for coded elements

Table of the code lists used in the order transaction:

Business Term	Source	Subset	Xpath	listID
Order Type Code	Subset of UN/ECE D1001 for order types	PEPPOL	cbc:OrderTypeCode	UNCL1001 Values 227 – Consignment Order
Currency Code	ISO 4217		cbc:DocumentCurrencyCode @currencyID	ISO4217
MIME Media Type Code	IANA		@mimeCode	
Country Code	ISO 3166-1 alpha2		cac:Country/cbc:Identificationcode	ISO3166-1:Alpha2
Unit Of Measure	UN/ECE Rec 20		@unitCode	UNECERec20 Note: Use this list identifier in the attribute unitCodeListID

6.1.1 Links to code lists

CEN BII2 subsets

ftp://ftp.cen.eu/public/CWAs/BII2/CWA16558/CWA16558-Annex-G-BII-CodeLists-V2_0_4.pdf

ISO 4217

http://www.currency-iso.org/dam/downloads/dl_iso_table_a1.xml

IANA

<http://www.iana.org/assignments/media-types>

ISO 3166-1 alpha2:

http://www.iso.org/iso/home/standards/country_codes.htm

UN/ECE Rec 20:

http://www.unece.org/cefact/recommendations/rec20/rec20_rev4E_2006.xls

UN ECE 1225:

<http://www.unece.org/trade/untddid/d08a/tred/tred1225.htm>

6.2 Codelists for identifier schemes

Table of the code lists used to constrain the values of schemeID for identifiers in the order transaction:

Business Term	Allowed SchemeID	Applicable Xpath	Note
Party Identifier	See “PEPPOL Policy for using Identifiers”	cbc:EndpointID/@schemeID cac:PartyIdentification/cbc:ID/@schemeID cac:PartyLegalEntity/cbc:CompanyID/@schemeID cac:PartyTaxScheme/cbc:CompantID/@schemeID	Mandatory Mandatory Optional Optional
Tax Category Identifier	Use UNECES305 CEN BII2 subset.	cac:TaxCategory/cbc:ID cac:ClassifiedTaxCategory/cbc:ID	Note: Validate the ID with the code list provided by CEN BII2. SchemeID attribute must be UNCL5305

7 Business Rules

7.1 Order business rules

RuleID	Rule	error level
BII2-T01-R001	An order MUST have a customization identifier	fatal
BII2-T01-R002	An order MUST have a profile identifier	fatal
BII2-T01-R003	Each order line MUST have a document line identifier that is unique within the order	fatal
BII2-T01-R004	An order MUST have a document issue date	fatal
BII2-T01-R005	An order SHOULD provide information about its validity end date	warning
BII2-T01-R006	An order MUST have a document identifier	fatal
BII2-T01-R007	Allowances and charges MUST have a reason	fatal
BII2-T01-R009	An order MUST be stated in a single currency	fatal
BII2-T01-R010	Each order line ordered quantity MUST not be negative	fatal
BII2-T01-R011	Each order line item net price MUST not be negative	fatal
BII2-T01-R012	Expected total amount for payment MUST NOT be negative	fatal
BII2-T01-R013	Expected total sum of line amounts MUST NOT be negative	fatal
BII2-T01-R014	Expected total sum of line amounts MUST equal the sum of the order line amounts at order line level	fatal
BII2-T01-R015	Expected total sum of allowance at document level MUST be equal to the sum of allowance amounts at document level	fatal
BII2-T01-R016	Expected total sum of charges at document level MUST be equal to the sum of charges at document level	fatal
BII2-T01-R017	Expected total amount for payment MUST be equal to the sum of line amounts minus sum of allowances at document level plus sum of charges at document level and VAT total amount	fatal
BII2-T01-R018	VAT total amount SHOULD be the sum of order line tax amounts, if order line tax amounts are provided	warning
BII2-T01-R019	Each item property MUST have a data name, if item property is provided	fatal
BII2-T01-R020	Each item property MUST have a data value, if item property is provided	fatal
BII2-T01-R021	An order MUST have the buyer party name or a buyer party identifier	fatal
BII2-T01-R022	An order MUST have the seller party name or a seller party identifier	fatal
BII2-T01-R029	Each order line SHOULD have an ordered quantity	warning
BII2-T01-R030	Each order line ordered quantity MUST have an associated unit of measure	fatal
BII2-T01-R031	Each order line MUST have an item identifier and/or an item name	fatal
EUGEN-T01-R011	An endpoint identifier MUST have a scheme identifier attribute	fatal
EUGEN-T01-R012	A party identifier MUST have a scheme identifier attribute	fatal
EUGEN-T01-R013	An order type code MUST have a list identifier attribute "UNCL1001"	fatal
EUGEN-T01-R014	A document currency code MUST have a list identifier attribute "ISO4217"	fatal
EUGEN-T01-R015	A country identification code MUST have a list identifier attribute "ISO3166-1:Alpha2"	fatal
EUGEN-T01-R016	A unit code attribute MUST have a unit code list identifier attribute "UNECERec20"	fatal
EUGEN-T01-R017	A tax category identifier MUST have a scheme identifier attribute "UNCL5305"	fatal

7.2 Codelists business rules

Identifier	Business Rule
OP-T01-001	OrderTypeCode in an order MUST be from UN/ECE 1001 code list PEPPOL Subset
OP-T01-002	DocumentCurrencyCode MUST be coded using ISO code list 4217
OP-T01-003	A Binary Object MIME code attribute MUST be coded using MIME Code Type version 2008 code list
OP-T01-004	An Endpoint Identifier Scheme identifier MUST be from the code list PEPPOL Party Identifier
OP-T01-005	An Party Identifier Scheme identifier MUST be from the code list PEPPOL Party Identifier
OP-T01-006	Country codes in an order MUST be coded using ISO code list 3166-1
OP-T01-007	currencyID MUST be coded using ISO code list 4217
OP-T01-008	A tax category identifier MUST be coded using UN/ECE 5305 BII2 Subset
OP-T01-009	Unit code MUST be coded according to the UN/ECE Recommendation 20 (2009)

8 Process and typical use cases

The Order only profile includes the sending of Orders from a Buyer to a Seller.

8.1 Process flow

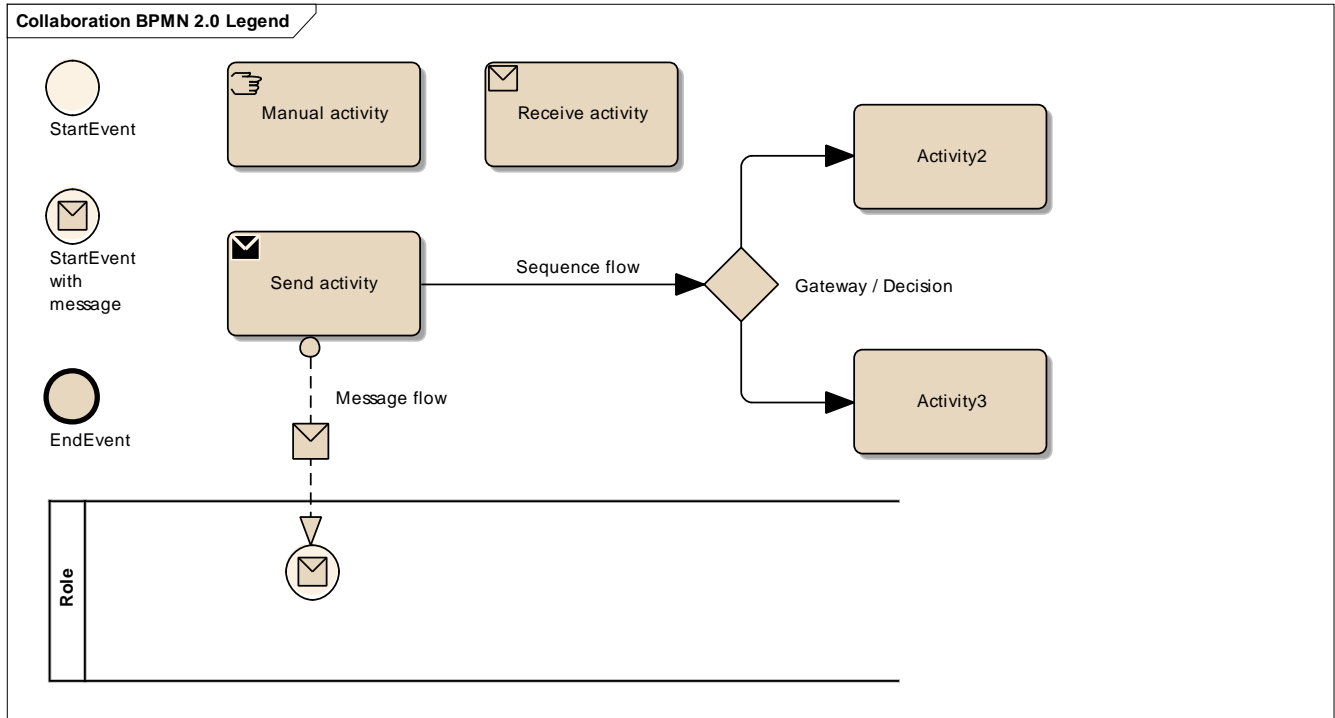
The Order process flow can be described as follows:

- ▶ A Buyer submits an Order to the Seller requesting for delivery of goods or services
- ▶ An Order may refer to a framework agreement for its terms and conditions; otherwise the Buyer's terms and conditions apply.
- ▶ An Order may contain items (goods or services) with item identifiers or items with free text description.

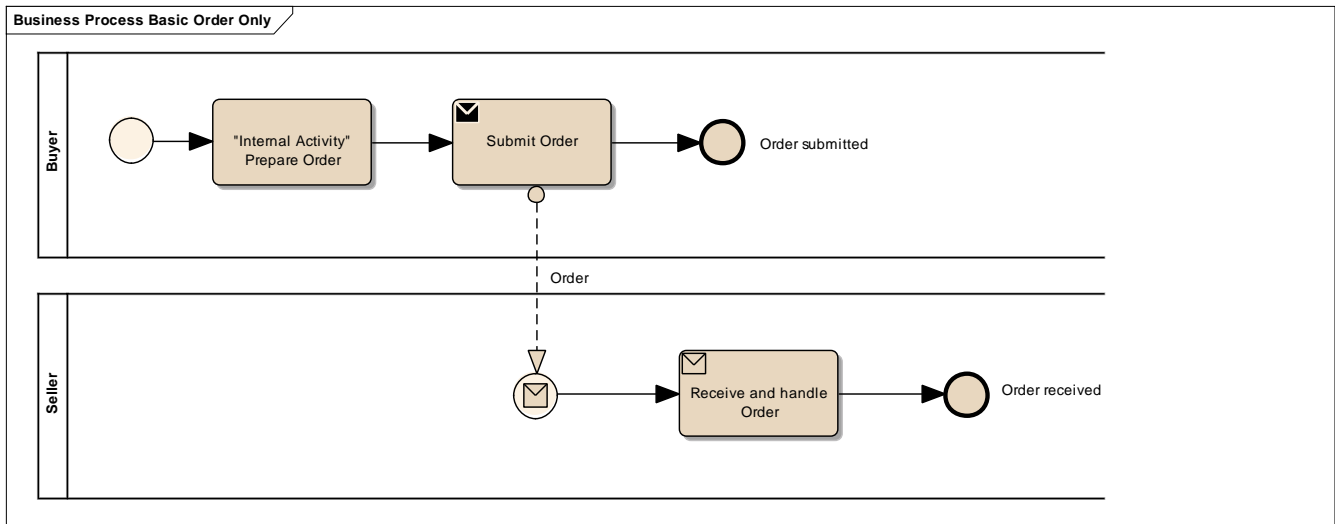
8.2 Business process Diagram

8.2.1 Legend for BPMN diagrams

The diagrams are expressed in the BPMN notation. The diagram below serves as an explanation for the diagrams used in the process descriptions.



The following diagram shows the choreography of the business process implemented by the profile.



8.3 Use case 1 – Ordering of numbered items/articles

This use case contains an order of numbered items/articles.

Use Case number	1
Use Case Name	Ordering of numbered items/articles
Use Case Description	An order of numbered articles. The order instructs the seller of the delivery address. The seller can deliver some of the items but not all. One item needs to be replaced.
Parties involved	Buyer Seller
Assumptions	The buyer has a catalogue or list of products to order. The catalogue contains the item numbers, names and type of unit of measure.
The flow	The buyer creates the order with 3 different lines and items. The seller receives the order.
Result	The buyer and the seller has reached an agreement. If the invoice has an order reference, the invoice can be matched automatically.
XML example file	See Appendix A for a sample file illustrating Use Case 1.

8.4 Use case 2 – Ordering of free text articles

This use case contains an order of free text articles.

Use Case number	2
Use Case Name	Ordering of free text articles
Use Case Description	An order with item/articles described in free text and attribute/value pairs.
Parties involved	Buyer Seller Originator
Assumptions	The buyer does not have structured item information. The buyer must specify the items in a way that ensures that the seller can properly identify the requested items.
The flow	The buyer creates the order with 2 different lines and items. The seller receives the order.
Result	The buyer and the seller has reached an agreement. If the invoice has an order reference, the invoice can be matched automatically.
XML example file	See Appendix A for a sample file illustrating Use Case 2.

8.5 Use case 3 – Ordering of services

This use case contains an order of services.

Use Case number	3
Use Case Name	Ordering of services
Use Case Description	An order of translation services. Delivery location and period is specified.
Parties involved	Buyer Seller
Assumptions	The buyer is using a form with pre-defined and agreed properties for this service.
The flow	The buyer creates the order with one line requesting translation between Swedish and

	Spanish. The seller receives the order.
Result	The buyer and the seller has reached an agreement. If the invoice has an order reference, the invoice can be matched automatically.
XML example file	See Appendix A for a sample file illustrating Use Case 3.

8.6 Use case 4 – Complex ordering

This use case contains an order with almost all elements in the order message used.

Use Case number	4
Use Case Name	Complex ordering
Use Case Description	An order for numbered items with allowance and charges both on order level, line level and price.
Parties involved	Buyer Seller Originator
Assumptions	The buyer has a catalogue or list of products to order. The catalogue contains the item numbers, names and type of unit of measure. The buyer has reached a special agreement with the seller regarding discounts on the order, orderlines and price.
The flow	The buyer creates the order with 4 different lines and items. The seller receives the order.
Result	The buyer and the seller has reached an agreement. If the invoice has an order reference, the invoice can be matched automatically.
XML example file	See Appendix A for a sample file illustrating Use Case 4.

9 Description of selected parts of the order message

9.1 Parties

The following parties/roles may be specified in the message:

9.1.1 SellerSupplierParty (Seller)

The seller is the legal person or organization acting on behalf of the supplier and who sells goods or services to the buyer. The seller is mandatory in the PEPPOL BIS Order message.

Example:

```
<cac: SellerSupplierParty>
  <cac: Party>
    <cbc: EndpointID schemeID="NO: ORGNR">965678996</cbc: EndpointID>
    <cac: PartyIdentification>
      <cbc: ID schemeID="GLN">5790000435951</cbc: ID>
    </cac: PartyIdentification>
    <cac: PartyName>
      <cbc: Name>The Sellercompany AS</cbc: Name>
    </cac: PartyName>
    <cac: PostalAddress>
      <cbc: StreetName>Address line 1</cbc: StreetName>
      <cbc: AdditionalStreetName>Address Line 2</cbc: cbc: AdditionalStreetName >
      <cbc: CityName>BERGEN</cbc: CityName>
      <cbc: PostalZone>5000</cbc: PostalZone>
      <cbc: CountrySubentity>Region B</cbc: cbc: CountrySubentity >
    </cac: Country>
      <cbc: IdentificationCode listID="ISO3166-1: Alpha2">NO</cbc: IdentificationCode>
    </cac: Country>
  </cac: PostalAddress>
  <cac: Contact>
    <cbc: Name>Doe, John</cbc: Name>
    <cbc: Telephone>915043212</cbc: Telephone>
    <cbc: Telefax>915043213</cbc: Telefax>
    <cbc: ElectronicMail>john.doe@sellercompany.no</cbc: ElectronicMail>
  </cac: Contact>
</cac: Party>
</cac: SellerSupplierParty>
```

9.1.2 BuyerCustomerParty (Buyer)

The buyer is the legal person or organization acting on behalf of the customer and who buys or purchases the goods or services. The buyer is mandatory in the PEPPOL BIS Order message.

Example:

```
<cac: BuyerCustomerParty>
  <cac: Party>
    <cbc: EndpointID schemeID="NO: ORGNR">984661185</cbc: EndpointID>
    <cac: PartyIdentification>
      <cbc: ID schemeID="GLN">5790000435944</cbc: ID>
    </cac: PartyIdentification>
    <cac: PartyName>
      <cbc: Name>The Buyercompany</cbc: Name>
    </cac: PartyName>
    <cac: PostalAddress>
      <cbc: StreetName>Address line 1</cbc: StreetName>
```

```

    <cbc:AdditionalStreetName>Address Line 2</cbc: cbc:AdditionalStreetName >
    <cbc:CityName>OSLO</cbc:CityName>
    <cbc:PostalZone>0185</cbc:PostalZone>
    <cbc:CountrySubentity>Region A</cbc: cbc:CountrySubentity >
    <cac:Country>
      <cbc:IdentificationCode listID="ISO3166-1:Alpha2">NO</cbc:IdentificationCode>
    </cac:Country>
  </cac:PostalAddress>
  <cac:PartyTaxScheme>
    <cbc:CompanyID>984661185MVA</cbc:CompanyID>
    <cac:TaxScheme>
      <cbc:ID>VAT</cbc:ID>
    </cac:TaxScheme>
  </cac:PartyTaxScheme>
  <cac:PartyLegalEntity>
    <cbc:RegistrationName>The BuyerCompany ASA</cbc:RegistrationName>
    <cbc:CompanyID>984661185</cbc:CompanyID>
    <cac:RegistrationAddress>
      <cbc:CityName>Oslo</cbc:CityName>
      <cbc:Country>
        <cbc:IdentificationCode listID="ISO3166-1:Alpha2">NO</cbc:IdentificationCode>
      </cac:Country>
    </cac:RegistrationAddress>
  </cac:PartyLegalEntity>
  <cac:Contact>
    <cbc:ID>3150bdn </cbc:ID>
    <cbc:Name>Johansen, Pat</cbc:Name>
    <cbc:Telephone>91508465</cbc:Telephone>
    <cbc:Telefax>91508466</cbc:Telefax>
    <cbc:ElectronicMail>pat.johansen@buyercompany.no</cbc:ElectronicMail>
  </cac:Contact>
</cac:Party>
</cac:BuyerCustomerParty>

```

9.1.3 OriginatorCustomerParty (Originator)

The unit initiating the order. Most often the end user. The originator information is optional in the PEPPOL BIS Order message.

Example:

```

<cac:OriginatorCustomerParty>
  <cac:Party>
    <cac:PartyName>
      <cbc:Name>Purchasing department</cbc:Name>
    </cac:PartyName>
    <cac:Contact>
      <cbc:Name>Smith, John</cbc:Name>
      <cbc:Telephone>92005761</cbc:Telephone>
      <cbc:Telefax>92005762</cbc:Telefax>
      <cbc:ElectronicMail>john.smith@sellercompany.no</cbc:ElectronicMail>
    </cac:Contact>
  </cac:Party>
</cac:OriginatorCustomerParty>

```

9.1.4 AccountingCustomerParty (Invoicee)

The invoicee is the legal person or organization acting on behalf of the customer and who receives the invoice for the order. The invoicee information is optional in the PEPPOL BIS Order message.

Example:

```

<cac:AccountingCustomerParty>

```

```

<cac:Party>
  <cbc:EndpointID schemeID="SE:ORGNR">5544332211</cbc:EndpointID>
  <cac:PartyIdentification>
    <cbc:ID schemeID="SE:ORGNR">5544332211</cbc:ID>
  </cac:PartyIdentification>
  <cac:PartyName>
    <cbc:Name>Swedish Hospitals</cbc:Name>
  </cac:PartyName>
  <cac:PostalAddress>
    <cbc:StreetName>Main street 4</cbc:StreetName>
    <cbc:AdditionalStreetName>Back door</cbc:AdditionalStreetName>
    <cbc:CityName>Eurocity</cbc:CityName>
    <cbc:PostalZone>11155</cbc:PostalZone>
    <cbc:CountrySubentity>Region A</cbc:CountrySubentity>
    <cac:Country>
      <cbc:IdentificationCode listID="ISO3166-1:Alpha2">SE</cbc:IdentificationCode>
    </cac:Country>
  </cac:PostalAddress>
  <cac:PartyTaxScheme>
    <cbc:CompanyID>SE554127771101</cbc:CompanyID>
    <cac:TaxScheme>
      <cbc:ID>VAT</cbc:ID>
    </cac:TaxScheme>
  </cac:PartyTaxScheme>
  <cac:PartyLegalEntity>
    <cbc:RegistrationName>Swedish Hospitals AB</cbc:RegistrationName>
    <cbc:CompanyID>5544332211</cbc:CompanyID>
    <cac:RegistrationAddress>
      <cbc:CityName>Stockholm</cbc:CityName>
      <cac:Country>
        <cbc:IdentificationCode listID="ISO3166-1:Alpha2">SE</cbc:IdentificationCode>
      </cac:Country>
    </cac:RegistrationAddress>
  </cac:PartyLegalEntity>
</cac:Party>
</cac:AccountingCustomerParty>
  
```

Note that in order to facilitate the invoicee information to be used in the invoice it is recommended to include as much information as possible, ie. PostalAddress, PartyTaxScheme and PartyLegalEntity in addition to PartyName and PartyIdentification.

9.2 Attachments

Non-XML documents can be sent as attachments to the PEPPOL BIS Order. This could be drawings or timesheets or other documents relevant for the order. The attachment can either be sent as a binary object encoded in Base64 embedded in the message or as a URI to an external address as a link.

It is recommended to send attachments as embedded, binary objects and not as external references.

Element	Description
Coding	Base64
File name	File name and extension should be sent in the filename attribute to the EmbeddedDocumentBinaryObject element. Note that the filename attribute is not included in 11.1.2 regarding the full content of the Order message. This is due to a problem in the tool used for producing the table in 11.1.2.

Document format	Recommended Mine-types: <ul style="list-style-type: none"> ▶ PDF – application/pdf ▶ TXT – text/txt ▶ XML – text/xml ▶ GIF – image/gif ▶ TIFF – image/tiff ▶ JPEG, JPG – image/jpeg ▶ PNG – image/png
Size	Recommended maximum message size is 5MB <u>including</u> attachments.
Description	It is recommended to use element <code>cac:AdditionalDocumentReference/cbc:DocumentType</code> to send a short description of the content of the attachment. NB: Attachments should be used for additional information and not as order copies.

Example of attachment as an embedded, binary object in an PEPPOL BIS Order message.

```
<cac:AdditionalDocumentReference>
  <cbc:ID>Specification 123</cbc:ID>
  <cbc:DocumentType>Order details</cbc:DocumentType>
  <cac:Attachment>
    <cbc:EmbeddedDocumentBinaryObject mimeType="application/pdf"
filename="specification.pdf">PD94bWwgd... +PC9PcmRlcj4=
    </cbc:EmbeddedDocumentBinaryObject>
  </cac:Attachment>
</cac:AdditionalDocumentReference>
```

9.3 Product identification

Product identification must be done using the identifiers described below:

- Sellers ID
- Standard ID, e.g. the GS1 Global Trade Item Number (GTIN)

Which identifier to use depends on what is known at the time ordering or what is commonly used in the relevant business sector.

Each order line MUST have an item identifier and/or an item name (Ref. 9.1.4)

Example of an PEPPOL BIS Order item using both Sellers ID and Standard ID (GTIN):

```
<cac:Item
....
  <cac:SellersItemIdentification>
    <cbc:ID>541706</cbc:ID>
  </cac:SellersItemIdentification>
  <cac:StandardItemIdentification>
    <cbc:ID schemeID="GTIN">05704368124358</cbc:ID>
  </cac:StandardItemIdentification>
  ....
</cac:Item>
```

9.4 Product name and description

The Product name shall be sent in tag `Item/Name` on line level. Description of a product can be sent in `Item/Description`.

The Product name is often sent in the order from buyer to seller.
Example in an PEPPOL BIS Order message:

```
<cac:Item>
  <cbc:Name>Wet tissues for children </cbc:Name>
  ....
</cac:Item>
```

9.5 Quantities and units

Various Quantities and Units can be stated in the PEPPOL BIS Order. These are both related to the ordering process and the logistics process.

The table below lists quantities and units in the format. To all quantities there must be a valid Unit according to the Code list.

Element name / (Tag name)	Description
Price Quantity / (BaseQuantity)	Quantity related to Price.
Order Quantity / (Quantity)	Quantity that is ordered, e.g. number of pieces or volume in litre .

Example of an order line with a quantity of 120 litre (*cbc:Quantity*) and price is given per litre.

```
<cbc:ID>1</cbc:ID>
<cbc:Quantity unitCode="LTR" unitCodeListID="UNECERec20">120</cbc:Quantity>
<cbc:LineExtensionAmount currencyID="NOK">6000</cbc:LineExtensionAmount>
<cbc:PartialDeliveryIndicator>>false</cbc:PartialDeliveryIndicator>
<cbc:AccountingCostCode>ProjectID123</cbc:AccountingCostCode>
<cac:Price>
  <cbc:PriceAmount currencyID="NOK">50</cbc:PriceAmount>
</cac:Price>
```

9.6 Prices

Prices may be exchanged in the Ordering process both for products with or without item identifiers and free text orders. This also allows for the seller to change the price in the Order response.

If prices are not sent in the order the normal process is to do price matching during the billing process comparing prices in the Invoice to prices in the Catalogue.

Price sent is related to the articles or services within this order. The following price can be stated:

- Prices should include allowances and/or charges but exclude VAT amounts

Example of price information in an Order message:

```
...
<cac:Price>
  <cbc:PriceAmount currencyID="NOK">50</cbc:PriceAmount>
</cac:Price>
```

9.7 Allowances and charges

9.7.1 General rules

Elements for allowance and charges are found on two levels:

1. The header level applies to the whole order and is included in the calculation of the order total amount.
 2. The line level Price element. Data on this level may be provided to inform the buyer how the price is calculated. The price itself is always the net price, i.e. the Price Amount reduced/increased with allowancecharge/amount.
- ▶ Several allowances and charges may be supplied on header-level. For the Price-element only one occurrence of the Allowance and Charge element can be present. The element AllowanceCharge with sub element ChargeIndicator indicates whether the instance is a charge (true) or an allowance (false).
 - ▶ The sum of all allowances and charges on the header level must be specified in AllowanceTotalAmount and ChargeTotalAmount respectively.
 - ▶ Allowances and charges related to Price is for information only and not part of any other calculations.
 - ▶ Allowances and charges related to Price may specify amount (AllowanceCharge/Amount) and base amount

9.7.2 Allowance and Charges on header level.

This example shows a charge related to packing costs:

```
<cac:AllowanceCharge>
  <cbc:ChargeIndicator>true</cbc:ChargeIndicator>
  <cbc:AllowanceChargeReason>Packing cost</cbc:AllowanceChargeReason>
  <cbc:Amount currencyID="EUR">100.00</cbc:Amount>
</cac:AllowanceCharge>
```

This example shows an allowance related to a discount on the order:

```
<cac:AllowanceCharge>
  <cbc:ChargeIndicator>false</cbc:ChargeIndicator>
  <cbc:AllowanceChargeReason>Discount</cbc:AllowanceChargeReason>
  <cbc:Amount currencyID="EUR">100.00</cbc:Amount>
</cac:AllowanceCharge>
```

9.7.3 Allowance and Charges related to price

This example shows a discount of EUR 10:

```
<cac:AllowanceCharge>
  <cbc:ChargeIndicator>false</cbc:ChargeIndicator>
  <cbc:AllowanceChargeReason>Discount</cbc:AllowanceChargeReason>
  <cbc:Amount currencyID="EUR">10.00</cbc:Amount>
  <cbc:BaseAmount currencyID="EUR">100.00</cbc:BaseAmount>
</cac:AllowanceCharge>
```

9.8 Calculation of totals (AnticipatedMonetaryTotals)

The following elements show the anticipated monetary totals for an order:

Element:	Description:
<cbc:LineExtensionAmount>	Sum of line amounts
<cbc:AllowanceTotalAmount>	Allowances on document level
<cbc:ChargeTotalAmount>	Charges on document level
<cbc:TaxExclusiveAmount>	Order total amount without VAT
<cbc:TaxInclusiveAmount>	Order total amount included VAT
<cbc:PrepaidAmount>	Any amounts that have been paid a-priory

<cbc:PayableRoundingAmount>	Rounding of Order total
<cbc:PayableAmount>	The amount that is expected to be paid

- ▶ Amounts MUST be given to a precision of two decimals except for Price where maximum number of decimals are four.
- ▶ Expected total payable amount MUST NOT be negative.
- ▶ Expected total sum of line amounts MUST NOT be negative.

Note that the AnticipatedMonetaryTotals class is optional. If the class is included in the message, the only mandatory elements are the LineExtensionAmount and the PayableAmount elements. All other elements are optional. When optional elements are used, the content MUST be according to the rules below.

Formulas for the calculations of totals are as follows:

Element:	Formula:
<cbc:LineExtensionAmount>	\sum LineExtensionAmount (at line level)
<cbc:ChargeTotalAmount>	\sum Charge Amount (where ChargeIndicator = "true")
<cbc:AllowanceTotalAmount>	\sum Allowance Amount (where ChargeIndicator = "false")
<cbc:TaxExclusiveAmount>	LineExtensionAmount – AllowanceTotalAmount + ChargeTotalAmount
<cbc:TaxInclusiveAmount>	TaxExclusiveAmount + TaxTotal /TaxAmount + PayableRoundingAmount
<cbc:PayableAmount>	TaxInclusiveAmount – PrepaidAmount

9.8.1 Example of calculations:

		Sample amounts	Element
Sum of line amounts	+	1436.50	LineExtensionAmount
Allowance on document level	-	100.00	Allowances(Total)
Charges on document level	+	<u>200.00</u>	Charges(Total)
Order total amount without VAT	=	1536.50	TaxExclusiveAmount
VAT total amount	+	384.13	TaxAmount
Rounding of Order total	+	<u>0.37</u>	PayableRoundingAmount
Order total with VAT (value of purchase)	=	1921.00	TaxInclusiveAmount
Paid amounts	-	<u>1000.00</u>	PrepaidAmount
Amount expected to be paid	=	921.00	Payable amount

The above example is presented in the order in the following way:

```
<cac:AnticipatedMonetaryTotal>
  <cbc:LineExtensionAmount currencyID="EUR">1436.50</cbc:LineExtensionAmount>
  <cbc:TaxExclusiveAmount currencyID="EUR">1536.50</cbc:TaxExclusiveAmount>
  <cbc:TaxInclusiveAmount currencyID="EUR">1921</cbc:TaxInclusiveAmount>
  <cbc:AllowanceTotalAmount currencyID="EUR">100</cbc:AllowanceTotalAmount>
  <cbc:ChargeTotalAmount currencyID="EUR">200</cbc:ChargeTotalAmount>
  <cbc:PrepaidAmount currencyID="EUR">1000</cbc:PrepaidAmount>
  <cbc:PayableRoundingAmount currencyID="EUR">0.37</cbc:PayableRoundingAmount>
  <cbc:PayableAmount currencyID="EUR">921.00</cbc:PayableAmount>
</cac:AnticipatedMonetaryTotal>
```

9.8.2 Element for rounding amount, the PayableRoundingAmount

It is possible to round the expected payable amount. The rule for this is according to the standard rule regarding rounding, ie. greater than or equal to 0.5 is rounded up, all other values are rounded down.

The element AnticipatedMonetaryTotal/PayableRoundingAmount is used for this purpose and is specified on the header level.

This value must be added to the value in AnticipatedMonetaryTotal/TaxInclusiveAmount.

Example: Amount 999.81 rounded to 1000. PayableRounding Amount = 0.19.

9.9 Tax total

If is possible to state the tax total of the order on the header level of the order and also on line level.

Header level:

```
<cac:TaxTotal>  
  <cbc:TaxAmount currencyID="EUR">5</cbc:TaxAmount>  
</cac:TaxTotal>
```

Line level:

```
<cac:LineItem>  
  <cbc:ID>1</cbc:ID>  
  <cbc:Quantity unitCode="NAR">50</cbc:Quantity>  
  <cbc:LineExtensionAmount currencyID="EUR">50</cbc:LineExtensionAmount>  
  <cbc:TotalTaxAmount currencyID="EUR">5</cbc:TotalTaxAmount>  
  ...
```

10 PEPPOL Identifiers

PEPPOL has defined a “Policy for Using Identifiers” [PEPPOL_Transp] that specifies how to use identifiers in both its transport infrastructure and within the documents exchanged across that infrastructure. It also introduces principles for any identifiers used in the PEPPOL environment. The policies that apply to this BIS are the following:

10.1 Party Identifiers

The “schemeID” attribute must be populated in all instances of the “ID” element when used within a “PartyIdentification”-container and in all instances of the “EndpointID” element when used within a “Party”-container.

Examples of usage in PartyIdentification:

```
<cac:PartyIdentification>  
  <cbc:ID schemeID="GLN">5790000435968</cbc:ID>  
</cac:PartyIdentification>
```

The following examples denote that the Issuing Agency is DK:CVR in the PEPPOL set of Issuing Agency Codes. This means that the party has the Danish CVR identifier DK87654321.

Examples of usage in PartyIdentification and Endpoint ID:

```
<cbc:EndpointID schemeID="DK:CVR">DK87654321</cbc:EndpointID>  
  
<cac:PartyIdentification>  
  <cbc:ID schemeID="DK:CVR">DK87654321</cbc:ID>  
</cac:PartyIdentification>
```

10.2 Version ID

This BIS is using the UBL 2.1 syntax. The namespace of the XML-message does only communicate the major version number. Since it is important for the receiver to also know what minor version of the syntax that is used, the element UBLVersionID must be stated with the value **2.1**:

```
<cbc:UBLVersionID>2.1</cbc:UBLVersionID>
```

10.3 Profile ID

The ProfileID identifies the process that the business document is part of. PEPPOL BIS uses the identification system according to BII:

As an example the following process identifier is used for —BII03 – Order Only:

ProfileID: urn:www.cenbii.eu:profile:bii03:ver2.0

10.4 Customization ID

The PEPPOL Customization ID identifies the specification of content and rules that apply to the transaction. This BIS has required some minor additions and changes to the CEN BII transaction. Following the CENBII methodology any extension must be communicated by adding an extension ID onto the Customization ID. The full syntax is:

```
<transactionId>:(restrictive|extended|partly):<extensionId>[(restrictive|extended|partly):<extensionId>].
```

Where:

- ▶ Transaction ID: urn:www.cenbii.eu:transaction:biitrns001:ver2.0
- ▶ Extension ID: urn:www.peppol.eu:bis:peppol03a:ver2.0

CustomizationID to use:

urn:www.cenbii.eu:transaction:biitrns001:ver2.0:**extended**:urn:www.peppol.eu:bis:peppol03a:ver2.0

Example of usage:

```
<cbc:CustomizationID>  
urn:www.cenbii.eu:transaction:biitrns001:ver2.0:extended:urn:www.peppol.eu:bis:peppol03a:ver2.0  
</cbc:CustomizationID>
```

10.5 Namespaces

The target namespace for the UBL2.1 Order is:

urn:oasis:names:specification:ubl:schema:xsd:Order-2

11 XML Schema Guideline and information content of the Order message

11.1 Structure

Occurrence	Element/Attribute	BI Business Term	Bus. req.
Order			
1 .. 1	cbc:UBLVersionID	UBL Version	
1 .. 1	cbc:CustomizationID	Customization identifier	tir01-001
1 .. 1	cbc:ProfileID	Profile identifier	tir01-002
1 .. 1	cbc:ID	Order identifier	tir01-003
1 .. 1	cbc:IssueDate	Order issue date	tir01-004
0 .. 1	cbc:IssueTime	Order issue time	tir01-005
0 .. 1	cbc:OrderTypeCode	Consignment order indication	tir01-153
0 .. 1	cbc:Note	Document level textual note	tir01-006
1 .. 1	cbc:DocumentCurrencyCode	Currency	tir01-007
0 .. 1	cbc:AccountingCost	Buyers accounting string	tir01-008
0 .. 1	cac:ValidityPeriod		
0 .. 1	cbc:EndDate	Order validity end date	tir01-009
0 .. 1	cac:QuotationDocumentReference		
1 .. 1	cbc:ID	Quotation document reference	tir01-010
0 .. 1	cac:OrderDocumentReference		
1 .. 1	cbc:ID	Order document reference	tir01-011
0 .. 1	cac:OriginatorDocumentReference		
1 .. 1	cbc:ID	Originator document reference	tir01-012
0 .. 1	cbc:DocumentType	Originator document description	tir01-013
0 .. unbounded	cac:AdditionalDocumentReference		
1 .. 1	cbc:ID	Document identifier	tir01-154
0 .. 1	cbc:DocumentType	Document description	tir01-016
0 .. 1	cac:Attachment		
0 .. 1	cbc:EmbeddedDocumentBinaryObject	Attached binary object	tir01-017
0 .. 1	cac:ExternalReference		
1 .. 1	cbc:URI	External document URI	tir01-018
0 .. 1	cac:Contract		
1 .. 1	cbc:ID	Reference identifier	tir01-019
0 .. 1	cbc:ContractType	Reference type	tir01-020
1 .. 1	cac:BuyerCustomerParty		
1 .. 1	cac:Party		
0 .. 1	cbc:EndpointID	Buyer party endpoint identifier	tir01-021
0 .. 1	cac:PartyIdentification		
1 .. 1	cbc:ID	Buyer party identification	tir01-022
0 .. 1	cac:PartyName		
1 .. 1	cbc:Name		
0 .. 1	cac:PostalAddress		
0 .. 1	cbc:StreetName	Address line 1	tir01-032
0 .. 1	cbc:AdditionalStreetName	Address line 2	tir01-027
0 .. 1	cbc:CityName	City	tir01-031
0 .. 1	cbc:PostalZone	Post code	tir01-024
0 .. 1	cbc:CountrySubentity	Country subdivision	tir01-141
0 .. 1	cac:Country		
1 .. 1	cbc:IdentificationCode	Country code	tir01-033
0 .. 1	cac:PartyTaxScheme		
1 .. 1	cbc:CompanyID	Buyer VAT identifier	tir01-034
1 .. 1	cac:TaxScheme		
1 .. 1	cbc:ID	Identifier	
0 .. 1	cac:PartyLegalEntity		
0 .. 1	cbc:RegistrationName	Buyers legal registration name	tir01-044
0 .. 1	cbc:CompanyID	Buyers legal registration identifier	tir01-043
0 .. 1	cac:RegistrationAddress		
0 .. 1	cbc:CityName	Buyers legal registration address city	tir01-045

Occurrence	Element/Attribute	Bill Business Term	Bus. req.
	Name		
0 .. 1	cac:Country		
1 .. 1	cbc:IdentificationCode country code	Buyers legal registration address	tir01-046
0 .. 1	cac:Contact		
0 .. 1	cbc:ID	Contact identifier	OP-T01-010
0 .. 1	cbc:Name	Contact person name	tir01-050
0 .. 1	cbc:Telephone	Contact telephone number	tir01-047
0 .. 1	cbc:Telefax	Contact fax number	tir01-048
0 .. 1	cbc:ElectronicMail	Contact email address	tir01-049
1 .. 1	cac:SellerSupplierParty		
1 .. 1	cac:Party		
0 .. 1	cbc:EndpointID	Seller party endpoint identifier	tir01-058
0 .. 1	cac:PartyIdentification		
1 .. 1	cbc:ID	Seller party identification	tir01-059
0 .. 1	cac:PartyName		
1 .. 1	cbc:Name	Seller party name	tir01-060
0 .. 1	cac:PostalAddress		
0 .. 1	cbc:StreetName	Address line 1	tir01-063
0 .. 1	cbc:AdditionalStreetName	Address line 2	tir01-064
0 .. 1	cbc:CityName	City	tir01-065
0 .. 1	cbc:PostalZone	Post code	tir01-068
0 .. 1	cbc:CountrySubentity	Country subdivision	tir01-142
0 .. 1	cac:Country		
1 .. 1	cbc:IdentificationCode	Country code	tir01-069
0 .. 1	cac:Contact		
0 .. 1	cbc:Name	Contact person name	tir01-074
0 .. 1	cbc:Telephone	Contact telephone number	tir01-077
0 .. 1	cbc:Telefax	Contact fax number	tir01-075
0 .. 1	cbc:ElectronicMail	Contact email address	tir01-076
0 .. 1	cac:OriginatorCustomerParty		
1 .. 1	cac:Party		
0 .. 1	cac:PartyIdentification		
1 .. 1	cbc:ID	Originator identifier	tir01-081
0 .. 1	cac:PartyName		
1 .. 1	cbc:Name	Originator name	tir01-082
0 .. 1	cac:Contact		
0 .. 1	cbc:Name	Contact person name	tir01-086
0 .. 1	cbc:Telephone	Contact telephone number	tir01-083
0 .. 1	cbc:Telefax	Contact fax number	tir01-084
0 .. 1	cbc:ElectronicMail	Contact email address	tir01-085
0 .. 1	cac:AccountingCustomerParty		
1 .. 1	cac:Party		
0 .. 1	cbc:EndpointID	Endpoint identifier	tir01-157
0 .. 1	cac:PartyIdentification		
1 .. 1	cbc:ID	Party identification	tir01-156
0 .. 1	cac:PartyName		
1 .. 1	cbc:Name	Party name	tir01-155
0 .. 1	cac:PostalAddress		
0 .. 1	cbc:StreetName	Address line 1	OP-T01-010
0 .. 1	cbc:AdditionalStreetName	Address line 2	OP-T01-010
0 .. 1	cbc:CityName	City	OP-T01-010
0 .. 1	cbc:PostalZone	Post code	OP-T01-010
0 .. 1	cbc:CountrySubentity	Country subdivision	OP-T01-010
0 .. 1	cac:Country		
1 .. 1	cbc:IdentificationCode	Country	OP-T01-010

Occurrence	Element/Attribute	BII Business Term	Bus. req.
0 .. 1	cac:PartyTaxScheme		
1 .. 1	cbc:CompanyID	Invoicee VAT identifier	OP-T01-010
1 .. 1	cac:TaxScheme		
1 .. 1	cbc:ID	Identifier	OP-T01-010
0 .. 1	cac:PartyLegalEntity		
0 .. 1	cbc:RegistrationName	Legal registration name	tir01-159
0 .. 1	cbc:CompanyID	Company ID	tir01-158
0 .. 1	cac:RegistrationAddress		
0 .. 1	cbc:CityName	City name	tir01-160
0 .. 1	cac:Country		
1 .. 1	cbc:IdentificationCode	Country code	tir01-161
0 .. 1	cac:Contact		
0 .. 1	cbc:ID	Contact identifier	OP-T01-010
0 .. 1	cac:Delivery		
0 .. 1	cac:DeliveryLocation		
0 .. 1	cac:Address		
0 .. 1	cbc:ID	Delivery location ID	tir01-169
0 .. 1	cbc:StreetName	Address line 1	tir01-092
0 .. 1	cbc:AdditionalStreetName	Address line 2	tir01-093
0 .. 1	cbc:CityName	City	tir01-096
0 .. 1	cbc:PostalZone	Post code	tir01-097
0 .. 1	cbc:CountrySubentity	Country subdivision	tir01-144
0 .. 1	cac:Country		
1 .. 1	cbc:IdentificationCode	Country code	tir01-098
0 .. 1	cac:RequestedDeliveryPeriod		
0 .. 1	cbc:StartDate	Period start date	tir01-099
0 .. 1	cbc:EndDate	Period end date	tir01-100
0 .. 1	cac:DeliveryParty		
0 .. 1	cac:PartyIdentification		
1 .. 1	cbc:ID	Delivery party ID	tir01-101
0 .. 1	cac:PartyName		
1 .. 1	cbc:Name	Delivery party name	tir01-102
0 .. 1	cac:Contact		
0 .. 1	cbc:Name	Contact person name	tir01-103
0 .. 1	cbc:Telephone	Contact telephone number	tir01-104
0 .. 1	cbc:Telefax	Contact fax number	tir01-105
0 .. 1	cbc:ElectronicMail	Contact email address	tir01-106
0 .. 1	cac:DeliveryTerms		
0 .. 1	cbc:ID	Delivery terms	tir01-107
0 .. 1	cbc:SpecialTerms	Delivery special terms	tir01-108
0 .. 1	cac:DeliveryLocation		
0 .. 1	cbc:ID	Delivery terms location	tir01-109
0 .. 1	cac:PaymentTerms		
0 .. 1	cbc:Note	Payment terms	OP-T01-014
0 .. unbounded	cac:AllowanceCharge		
1 .. 1	cbc:ChargeIndicator	AllowanceChargeIndicator	
1 .. 1	cbc:AllowanceChargeReason	Allowance and charges reason	tir01-112
1 .. 1	cbc:Amount	Allowance and charge amount	tir01-113
0 .. 1	cac:TaxTotal		
1 .. 1	cbc:TaxAmount	VAT total amount	tir01-114
0 .. 1	cac:AnticipatedMonetaryTotal		
1 .. 1	cbc:LineExtensionAmount	Sum of line amounts	tir01-115
0 .. 1	cbc:TaxExclusiveAmount	Document total without VAT	tir01-145
0 .. 1	cbc:TaxInclusiveAmount	Document total including VAT	tir01-147
0 .. 1	cbc:AllowanceTotalAmount	Sum of allowances on document level	tir01-116

Occurrence	Element/Attribute	Bill Business Term	Bus. req.
0 .. 1	cbc:ChargeTotalAmount	Sum of charges on document level	tir01-117
0 .. 1	cbc:PrepaidAmount	Paid amounts	tir01-148
0 .. 1	cbc:PayableRoundingAmount	Rounding of document total	tir01-146
1 .. 1	cbc:PayableAmount	Amount for payment	tir01-118
1 .. unbounded	cac:OrderLine		
0 .. 1	cbc:Note	Order line note	tir01-123
1 .. 1	cac:LineItem		
1 .. 1	cbc:ID	Document line identifier	tir01-120
1 .. 1	cbc:Quantity	Ordered quantity	tir01-132
0 .. 1	cbc:LineExtensionAmount	Order line amount	tir01-128
0 .. 1	cbc:TotalTaxAmount	Order line tax amount	tir01-129
0 .. 1	cbc:PartialDeliveryIndicator	Partial Delivery Allowed Indicator	tir01-124
0 .. 1	cbc:AccountingCost	Buyers accounting string	tir01-125
0 .. 1	cac:Delivery		
0 .. 1	cac:RequestedDeliveryPeriod		
0 .. 1	cbc:StartDate	Period start date	tir01-126
0 .. 1	cbc:EndDate	Period end date	tir01-127
0 .. 1	cac:OriginatorParty		
0 .. 1	cac:PartyIdentification		
1 .. 1	cbc:ID	Order line originator party ID	tir01-121
0 .. 1	cac:PartyName		
1 .. 1	cbc:Name	Order line originator party name	tir01-122
0 .. 1	cac:Price		
1 .. 1	cbc:PriceAmount	Item price	tir01-130
0 .. 1	cbc:BaseQuantity	Item price base quantity	tir01-131
0 .. 1	cac:AllowanceCharge		
1 .. 1	cbc:ChargeIndicator	AllowanceChargeIndicator	
1 .. 1	cbc:Amount	Amount	
0 .. 1	cbc:BaseAmount	Item list price	tir01-152
1 .. 1	cac:Item		
0 .. 1	cbc:Description	Item description as text	tir01-133
0 .. 1	cbc:Name	Item name	tir01-134
0 .. 1	cac:SellersItemIdentification		
1 .. 1	cbc:ID	Item sellers identifier	tir01-135
0 .. 1	cac:StandardItemIdentification		
1 .. 1	cbc:ID	Item standard identifier	tir01-136
0 .. unbounded	cac:ItemSpecificationDocumentReference		
1 .. 1	cbc:ID	Document reference	OP-T01-012
0 .. unbounded	cac:CommodityClassification		
1 .. 1	cbc:ItemClassificationCode	Item commodity classification	tir01-149
0 .. 1	cac:ClassifiedTaxCategory		
1 .. 1	cbc:ID	Item VAT category code	tir01-150
0 .. 1	cbc:Percent	Item VAT rate	tir01-170
1 .. 1	cac:TaxScheme		
1 .. 1	cbc:ID	Identifier	
0 .. unbounded	cac:AdditionalItemProperty		
1 .. 1	cbc:Name	Name	tir01-138
1 .. 1	cbc:Value	Value	tir01-139
0 .. 1	cbc:ValueQuantity	Quantity	OP-T01-013
0 .. 1	cbc:ValueQualifier	Qualification of qty	OP-T01-013

11.2 Details

Element/Attribute	Description	Usage
Order	Type OrderType	
cbc:UBLVersionID	<p>Occurrence 1 .. 1</p> <p>Type cbc:UBLVersionIDType</p> <p>Info req.ID 2</p> <p>Example 2.1</p>	<p>Term name UBL Version</p> <p>BII Usage The version of UBL the message is based on (2.1)</p>
cbc:CustomizationID	<p>Occurrence 1 .. 1</p> <p>Type cbc:CustomizationIDType</p> <p>Info req.ID tir01-001</p> <p>Bus req.ID tbr01-001</p> <p>Example urn:www.cenbii.eu:transaction:biitrns001:ver2.0:extended:urn:www.peppol.eu:bis:peppol03a:ver2.0</p>	<p>Term name Customization identifier</p> <p>BII Usage Identifies the specification of content and rules that apply to the transaction.</p> <p>Rules BII2-T01-R001 - An order MUST have a customization identifier</p>
cbc:ProfileID	<p>Occurrence 1 .. 1</p> <p>Type cbc:ProfileIDType</p> <p>Info req.ID tir01-002</p> <p>Bus req.ID tbr01-001</p> <p>Example urn:www.cenbii.eu:profile:bii03:ver2.0</p>	<p>Term name Profile identifier</p> <p>BII Usage Identifies the BII profile or business process context in which the transaction appears.</p> <p>Rules BII2-T01-R002 - An order MUST have a profile identifier</p>
cbc:ID	<p>Occurrence 1 .. 1</p> <p>Type cbc:IDType</p> <p>Info req.ID tir01-003</p> <p>Bus req.ID tbr01-001</p>	<p>Term name Order identifier</p> <p>BII Usage A transaction instance must have an identifier. The identifier enables referencing the transaction for various purposes such as from other transactions that are part of the same process.</p> <p>Rules BII2-T01-R006 - An order MUST have a document identifier</p>
cbc:IssueDate	<p>Occurrence 1 .. 1</p> <p>Type cbc:IssueDateType</p> <p>Info req.ID tir01-004</p> <p>Bus req.ID tbr01-002</p>	<p>Term name Order issue date</p> <p>BII Usage The date on which the transaction instance was issued.</p> <p>Rules BII2-T01-R004 - An order MUST have a document issue date</p>
cbc:IssueTime	<p>Occurrence 0 .. 1</p> <p>Type cbc:IssueTimeType</p> <p>Info req.ID tir01-005</p> <p>Bus req.ID tbr01-002</p>	<p>Term name Order issue time</p> <p>BII Usage The time assigned by the buyer on which the order was issued.</p>
cbc:OrderTypeCode	<p>Occurrence 0 .. 1</p> <p>Type cbc:OrderTypeCodeType</p> <p>Info req.ID tir01-153</p> <p>Bus req.ID tbr01-002</p>	<p>Term name Consignment order indication</p> <p>BII Usage "Indicates whether the order is a purchase order or consignment order. Default is purchase order.</p> <p>Rules Only to be used for Consignment orders, Code=227. EUGEN-T01-R013 An order type code MUST have a list identifier attribute "UNCL1001". OP-T01-001 OrderTypeCode in an order MUST be from UN/ECE 1001 code list PEPPOL Subset</p>
listID	<p>Type xs:normalizedString</p> <p>Use required</p>	<p>Code List ID: UNCL1001</p>

Element/Attribute	Description	Usage
cbc:Note	<p>Occurrence 0 .. 1 Type cbc:NoteType Info req.ID tir01-006 Bus req.ID tbr01-003</p>	<p>Term name Document level textual note BII Usage Free form text applying to the Order. This element may contain notes or any other similar information that is not contained explicitly in another structure.</p>
cbc:DocumentCurrencyCode	<p>Occurrence 1 .. 1 Type cbc:DocumentCurrencyCodeType Info req.ID tir01-007 Bus req.ID tbr01-004</p>	<p>Term name Currency BII Usage The default currency for the order.</p> <p>Rules OP-T01-002 - DocumentCurrencyCode MUST be coded using ISO code list 4217 EUGEN-T01-R014 - A document currency code MUST have a list identifier attribute "ISO4217"</p>
listID	<p>Type xs:normalizedString Use required</p>	<p>Rules OP-T01-002 - The document currency code list identifier MUST be "ISO4217" Code List ID: ISO4217</p>
cbc:AccountingCost	<p>Occurrence 0 .. 1 Type cbc:AccountingCostType Info req.ID tir01-008 Bus req.ID tbr01-005</p>	<p>Term name Buyers accounting string BII Usage Used by the buyer to specify a reference that should be repeated in e.g. invoice to enable the buyer to automatically book e.g. to the right project, or account.</p>
cac:ValidityPeriod	<p>Occurrence 0 .. 1 Type cac:PeriodType</p>	
cbc:EndDate	<p>Occurrence 0 .. 1 Type cbc:EndDateType Info req.ID tir01-009 Bus req.ID tbr01-002</p>	<p>Term name Order validity end date BII Usage The end date for when the order is valid. The end date for the time period within which the seller must respond.</p> <p>Rules BII2-T01-R005 - An order MUST provide information about its validity end date</p>
cac:QuotationDocumentReference	<p>Occurrence 0 .. 1 Type cac:DocumentReferenceType</p>	
cbc:ID	<p>Occurrence 1 .. 1 Type cbc:IDType Info req.ID tir01-010 Bus req.ID tbr01-006</p>	<p>Term name Quotation document reference BII Usage A requirement to give a unique reference to the quotation that is the base for the order.</p>
cac:OrderDocumentReference	<p>Occurrence 0 .. 1 Type cac:DocumentReferenceType</p>	
cbc:ID	<p>Occurrence 1 .. 1 Type cbc:IDType Info req.ID tir01-011 Bus req.ID tbr01-006</p>	<p>Term name Order document reference BII Usage Used to reference the initial order that was rejected and a new order is issued.</p>
cac:OriginatorDocumentReference	<p>Occurrence 0 .. 1 Type cac:DocumentReferenceType</p>	

Element/Attribute	Description	Usage
cbc:ID	Occurrence 1 .. 1 Type cbc:IDType Info req.ID tir01-012 Bus req.ID tbr01-006	Term name Originator document reference BII Usage A reference to Originator Document. To be able to give a reference to the internal requisition on the buyer site on which the order is based.
cbc:DocumentType	Occurrence 0 .. 1 Type cbc:DocumentTypeType Info req.ID tir01-013 Bus req.ID tbr01-006	Term name Originator document description BII Usage Originator document description.
cac:AdditionalDocumentReference	Occurrence 0 .. unbounded Type cac:DocumentReferenceType	
cbc:ID	Occurrence 1 .. 1 Type cbc:IDType Info req.ID tir01-154 Bus req.ID tbr01-006	Term name Document identifier BII Usage An identifier for the referenced document.
cbc:DocumentType	Occurrence 0 .. 1 Type cbc:DocumentTypeType Info req.ID tir01-016 Bus req.ID tbr01-006	Term name Document description BII Usage A short description of the document type.
cac:Attachment	Occurrence 0 .. 1 Type cac:AttachmentType	
cbc:EmbeddedDocumentBinaryObject	Occurrence 0 .. 1 Type cbc:EmbeddedDocumentBinaryObjectType Info req.ID tir01-017 Bus req.ID tbr01-006	Term name Attached binary object BII Usage The attached document embedded as binary object.
mimeCode	Type xs:normalizedString Use required	Rules OP-T01-003 - A Binary Object MIME code attribute MUST be coded using MIME Code Type code list Code List ID: MIMEMediaTypes
cac:ExternalReference	Occurrence 0 .. 1 Type cac:ExternalReferenceType	
cbc:URI	Occurrence 1 .. 1 Type cbc:URIType Info req.ID tir01-018 Bus req.ID tbr01-006	Term name External document URI BII Usage The Uniform Resource Identifier (URI) that identifies where the external document is located.
cac:Contract	Occurrence 0 .. 1 Type cac:ContractType	
cbc:ID	Occurrence 1 .. 1 Type cbc:IDType Info req.ID tir01-019 Bus req.ID tbr01-006	Term name Reference identifier BII Usage Positive identification of the reference such as a unique identifier.
cbc:ContractType	Occurrence 0 .. 1 Type cbc:ContractTypeType Info req.ID tir01-020 Bus req.ID tbr01-006	Term name Reference type BII Usage The short description of what is reference such as contract type, document type , meter etc. The type of Contract, expressed as text.

Element/Attribute	Description	Usage
cac:BuyerCustomerParty	Occurrence 1 .. 1 Type cac:CustomerPartyType	
cac:Party	Occurrence 1 .. 1 Type cac:PartyType	
cbc:EndpointID	Occurrence 0 .. 1 Type cbc:EndpointIDType Info req.ID tir01-021 Bus req.ID tbr01-010	Term name Buyer party endpoint identifier BII Usage Identifies the end point of the routing service. Rules EUGEN-T01-R011 - An endpoint identifier MUST have a scheme identifier attribute
schemeID	Type xs:normalizedString Use required	Rules OP-T01-004 - An Endpoint Identifier Scheme MUST be from the code list PEPPOL:PartyIdentifier Code List ID: PEPPOL:PartyIdentifier
cac:PartyIdentification	Occurrence 0 .. 1 Type cac:PartyIdentificationType	
cbc:ID	Occurrence 1 .. 1 Type cbc:IDType Info req.ID tir01-022 Bus req.ID tbr01-009	Term name Buyer party identification BII Usage An identification for the buyer party. Rules BII2-T01-R021 - An order MUST have the buyer party name or a buyer party identifier EUGEN-T01-R012 - A party identifier MUST have a scheme identifier attribute
schemeID	Type xs:normalizedString Use required	Rules OP-T01-005 - A Party Identifier Scheme MUST be from the list of PEPPOL Party Identifiers. Code List ID: PEPPOL:PartyIdentifier
cac:PartyName	Occurrence 0 .. 1 Type cac:PartyNameType	
cbc:Name	Occurrence 1 .. 1 Type cbc:NameType	
cac:PostalAddress	Occurrence 0 .. 1 Type cac:AddressType	
cbc:StreetName	Occurrence 0 .. 1 Type cbc:StreetNameType Info req.ID tir01-032 Bus req.ID tbr01-009	Term name Address line 1 BII Usage The main address line in a postal address usually the street name and number.
cbc:AdditionalStreetName	Occurrence 0 .. 1 Type cbc:AdditionalStreetNameType Info req.ID tir01-027 Bus req.ID tbr01-009	Term name Address line 2 BII Usage An additional address line in a postal address that can be used to give further details supplementing the main line. Common use are secondary house number in a complex or in a building.
cbc:CityName	Occurrence 0 .. 1 Type cbc:CityNameType Info req.ID tir01-031 Bus req.ID tbr01-009	Term name City BII Usage The common name of the city where the postal address is. The name is written in full rather than as a code.

Element/Attribute	Description	Usage
cbc:PostalZone	<p>Occurrence 0 .. 1 Type cbc:PostalZoneType Info req.ID tir01-024 Bus req.ID tbr01-009</p>	<p>Term name Post code BII Usage The identifier for an addressable group of properties according to the relevant national postal service, such as a ZIP code or Post Code.</p>
cbc:CountrySubentity	<p>Occurrence 0 .. 1 Type cbc:CountrySubentityType Info req.ID tir01-141 Bus req.ID tbr01-009</p>	<p>Term name Country subdivision BII Usage For specifying a region, county, state, province etc. within a country by using text.</p>
cac:Country	<p>Occurrence 0 .. 1 Type cac:CountryType</p>	
cbc:IdentificationCode	<p>Occurrence 1 .. 1 Type cbc:IdentificationCodeType Info req.ID tir01-033 Bus req.ID tbr01-009</p>	<p>Term name Country code BII Usage The country where the address is. The country should always be given by using ISO code 3166 alpha 2</p> <p>Rules OP-T01-006 - Country codes in an order MUST be coded using ISO code list 3166-1 EUGEN-T01-R015 - A country identification code MUST have a code list identifier attribute "ISO3166-1:Alpha2"</p>
listID	<p>Type xs:normalizedString Use required</p>	<p>Code List ID: ISO3166-1:Alpha2</p>
cac:PartyTaxScheme	<p>Occurrence 0 .. 1 Type cac:PartyTaxSchemeType</p>	
cbc:CompanyID	<p>Occurrence 1 .. 1 Type cbc:CompanyIDType Info req.ID tir01-034 Bus req.ID tbr01-011</p>	<p>Term name Buyer VAT identifier BII Usage The buyers registered Value Added Tax identifier. To be stated in case reverse charge is to apply to the purchase.</p>
schemeID	<p>Type xs:normalizedString Use optional</p>	<p>Rules OP-T01-005 - A Party Identifier Scheme MUST be from the list of PEPPOL Party Identifiers. Code List ID: PEPPOL:PartyIdentifier</p>
cac:TaxScheme	<p>Occurrence 1 .. 1 Type cac:TaxSchemeType</p>	
cbc:ID	<p>Occurrence 1 .. 1 Type cbc:IDType Info req.ID 3 Example VAT</p>	<p>Term name Identifier BII Usage Code for TaxScheme. VAT is the only allowed value</p>
cac:PartyLegalEntity	<p>Occurrence 0 .. 1 Type cac:PartyLegalEntityType</p>	
cbc:RegistrationName	<p>Occurrence 0 .. 1 Type cbc:RegistrationNameType Info req.ID tir01-044 Bus req.ID tbr01-012</p>	<p>Term name Buyers legal registration name BII Usage The official name of the party as registered with the relevant fiscal authority.</p>

Element/Attribute	Description	Usage
cbc:CompanyID	<p>Occurrence 0 .. 1</p> <p>Type cbc:CompanyIDType</p> <p>Info req.ID tir01-043</p> <p>Bus req.ID tbr01-012</p> <p>Example 931186755</p>	<p>Term name Buyers legal registration identifier</p> <p>BII Usage Identifies a company as registered with the company registration scheme.</p>
schemeID	<p>Type xs:normalizedString</p> <p>Use optional</p>	<p>Rules OP-T01-005 - A Party Identifier Scheme MUST be from the list of PEPPOL Party Identifiers.</p> <p>Code List ID: PEPPOL:PartyIdentifier</p>
cac:RegistrationAddress	<p>Occurrence 0 .. 1</p> <p>Type cac:AddressType</p>	
cbc:CityName	<p>Occurrence 0 .. 1</p> <p>Type cbc:CityNameType</p> <p>Info req.ID tir01-045</p> <p>Bus req.ID tbr01-012</p>	<p>Term name Buyers legal registration address city name</p> <p>BII Usage Associates with the registered address of the party within a Corporate Registration Scheme. The name of a city, town, or village.</p>
cac:Country	<p>Occurrence 0 .. 1</p> <p>Type cac:CountryType</p>	
cbc:IdentificationCode	<p>Occurrence 1 .. 1</p> <p>Type cbc:IdentificationCodeType</p> <p>Info req.ID tir01-046</p> <p>Bus req.ID tbr01-012</p>	<p>Term name Buyers legal registration address country code</p> <p>BII Usage Buyers legal registration address country ID</p>
listID	<p>Type xs:normalizedString</p> <p>Use required</p>	<p>Rules OP-T01-006 - Country codes in an order MUST be coded using ISO code list 3166-1</p> <p>Code List ID: ISO3166-1:Alpha2</p>
cac:Contact	<p>Occurrence 0 .. 1</p> <p>Type cac:ContactType</p>	
cbc:ID	<p>Occurrence 0 .. 1</p> <p>Type cbc:IDType</p> <p>Info req.ID OP-T01-010</p>	<p>Term name Contact identifier</p> <p>BII Usage Reference to buyer contact, "Your ref."</p>
cbc:Name	<p>Occurrence 0 .. 1</p> <p>Type cbc:NameType</p> <p>Info req.ID tir01-050</p> <p>Bus req.ID tbr01-014</p>	<p>Term name Contact person name</p> <p>BII Usage The name of the contact person.</p>
cbc:Telephone	<p>Occurrence 0 .. 1</p> <p>Type cbc:TelephoneType</p> <p>Info req.ID tir01-047</p> <p>Bus req.ID tbr01-013</p>	<p>Term name Contact telephone number</p> <p>BII Usage A phone number for the contact person. If the person has a direct number, this is that number.</p>
cbc:Telefax	<p>Occurrence 0 .. 1</p> <p>Type cbc:TelefaxType</p> <p>Info req.ID tir01-048</p> <p>Bus req.ID tbr01-013</p>	<p>Term name Contact fax number</p> <p>BII Usage A fax number for the contact persons.</p>
cbc:ElectronicMail	<p>Occurrence 0 .. 1</p> <p>Type cbc:ElectronicMailType</p> <p>Info req.ID tir01-049</p> <p>Bus req.ID tbr01-013</p>	<p>Term name Contact email address</p> <p>BII Usage The e-mail address for the contact person. If the person has a direct e-mail this is that email.</p>

Element/Attribute	Description	Usage
cac: SellerSupplierParty	Occurrence 1 .. 1 Type cac:SupplierPartyType	
cac: Party	Occurrence 1 .. 1 Type cac:PartyType	
cbc: EndpointID	Occurrence 0 .. 1 Type cbc:EndpointIDType Info req.ID tir01-058 Bus req.ID tbr01-010	Term name Seller party endpoint identifier BII Usage Identifies the end point of the routing service. Rules EUGEN-T01-R011 - An endpoint identifier MUST have a scheme identifier attribute
schemeID	Type xs:normalizedString Use required	Rules OP-T01-004 - An Endpoint Identifier Scheme MUST be from the code list PEPPOL:PartyIdentifier Code List ID: PEPPOL:PartyIdentifier
cac: PartyIdentification	Occurrence 0 .. 1 Type cac:PartyIdentificationType	
cbc: ID	Occurrence 1 .. 1 Type cbc:IDType Info req.ID tir01-059 Bus req.ID tbr01-009	Term name Seller party identification BII Usage Identifies a party. Rules BII2-T01-R022 - An order MUST have the seller party name or a seller party identifier EUGEN-T01-R012 - A party identifier MUST have a scheme identifier attribute
schemeID	Type xs:normalizedString Use required	Rules OP-T01-005 - A Party Identifier Scheme MUST be from the list of PEPPOL Party Identifiers. Code List ID: PEPPOL:PartyIdentifier
cac: PartyName	Occurrence 0 .. 1 Type cac:PartyNameType	
cbc: Name	Occurrence 1 .. 1 Type cbc:NameType Info req.ID tir01-060 Bus req.ID tbr01-017	Term name Seller party name BII Usage The name of the party. Rules BII2-T01-R022 - An order MUST have the seller party name or a seller party identifier
cac: PostalAddress	Occurrence 0 .. 1 Type cac:AddressType	
cbc: StreetName	Occurrence 0 .. 1 Type cbc:StreetNameType Info req.ID tir01-063 Bus req.ID tbr01-017	Term name Address line 1 BII Usage The main address line in a postal address usually the street name and number.
cbc: AdditionalStreetName	Occurrence 0 .. 1 Type cbc:AdditionalStreetNameType Info req.ID tir01-064 Bus req.ID tbr01-017	Term name Address line 2 BII Usage An additional address line in a postal address that can be used to give further details supplementing the main line. Common use are secondary house number in a complex or in a building.
cbc: CityName	Occurrence 0 .. 1 Type cbc:CityNameType Info req.ID tir01-065 Bus req.ID tbr01-017	Term name City BII Usage The common name of the city where the postal address is. The name is written in full rather than as a code.

Element/Attribute	Description	Usage
cbc:PostalZone	<p>Occurrence 0 .. 1 Type cbc:PostalZoneType Info req.ID tir01-068 Bus req.ID tbr01-017</p>	<p>Term name Post code BII Usage The identifier for an addressable group of properties according to the relevant national postal service, such as a ZIP code or Post Code.</p>
cbc:CountrySubentity	<p>Occurrence 0 .. 1 Type cbc:CountrySubentityType Info req.ID tir01-142 Bus req.ID tbr01-017</p>	<p>Term name Country subdivision BII Usage For specifying a region, county, state, province etc. within a country by using text.</p>
cac:Country	<p>Occurrence 0 .. 1 Type cac:CountryType</p>	
cbc:IdentificationCode	<p>Occurrence 1 .. 1 Type cbc:IdentificationCodeType Info req.ID tir01-069 Bus req.ID tbr01-017</p>	<p>Term name Country code BII Usage The country where the address is. The country should always be given by using ISO code 3166 alpha 2</p> <p>Rules OP-T01-006 - Country codes in an order MUST be coded using ISO code list 3166-1 EUGEN-T01-R015 - A country identification code MUST have a code list identifier attribute "ISO3166-1:Alpha2"</p>
listID	<p>Type xs:normalizedString Use required</p>	<p>Code List ID: ISO3166-1:Alpha2</p>
cac:Contact	<p>Occurrence 0 .. 1 Type cac:ContactType</p>	
cbc:Name	<p>Occurrence 0 .. 1 Type cbc:NameType Info req.ID tir01-074 Bus req.ID tbr01-014</p>	<p>Term name Contact person name BII Usage The name of the contact person.</p>
cbc:Telephone	<p>Occurrence 0 .. 1 Type cbc:TelephoneType Info req.ID tir01-077 Bus req.ID tbr01-014</p>	<p>Term name Contact telephone number BII Usage A phone number for the contact person. If the person has a direct number, this is that number.</p>
cbc:Telefax	<p>Occurrence 0 .. 1 Type cbc:TelefaxType Info req.ID tir01-075 Bus req.ID tbr01-014</p>	<p>Term name Contact fax number BII Usage A fax number for the contact persons.</p>
cbc:ElectronicMail	<p>Occurrence 0 .. 1 Type cbc:ElectronicMailType Info req.ID tir01-076 Bus req.ID tbr01-014</p>	<p>Term name Contact email address BII Usage The e-mail address for the contact person. If the person has a direct e-mail this is that email.</p>
cac:OriginatorCustomerParty	<p>Occurrence 0 .. 1 Type cac:CustomerPartyType</p>	
cac:Party	<p>Occurrence 1 .. 1 Type cac:PartyType</p>	
cac:PartyIdentification	<p>Occurrence 0 .. 1 Type cac:PartyIdentificationType</p>	

Element/Attribute	Description	Usage
cbc:ID	Occurrence 1 .. 1 Type cbc:IDType Info req.ID tir01-081 Bus req.ID tbr01-0	Term name Originator identifier BII Usage <i>Identifies a party.</i> Rules EUGEN-T01-R012 - A party identifier MUST have a scheme identifier attribute
schemeID	Type <i>xs:normalizedString</i> Use <i>required</i>	Rules <i>OP-T01-005 - A Party Identifier Scheme MUST be from the list of PEPPOL Party Identifiers.</i> Code List ID: <i>PEPPOL:PartyIdentifier</i>
cac:PartyName	Occurrence 0 .. 1 Type cac:PartyNameType	
cbc:Name	Occurrence 1 .. 1 Type cbc:NameType Info req.ID tir01-082 Bus req.ID tbr01-0	Term name Originator name BII Usage <i>The name of the party.</i>
cac:Contact	Occurrence 0 .. 1 Type cac:ContactType	
cbc:Name	Occurrence 0 .. 1 Type cbc:NameType Info req.ID tir01-086 Bus req.ID tbr01-020	Term name Contact person name BII Usage <i>The name of the contact person.</i>
cbc:Telephone	Occurrence 0 .. 1 Type cbc:TelephoneType Info req.ID tir01-083 Bus req.ID tbr01-020	Term name Contact telephone number BII Usage <i>A phone number for the contact person. If the person has a direct number, this is that number.</i>
cbc:Telefax	Occurrence 0 .. 1 Type cbc:TelefaxType Info req.ID tir01-084 Bus req.ID tbr01-020	Term name Contact fax number BII Usage <i>A fax number for the contact persons.</i>
cbc:ElectronicMail	Occurrence 0 .. 1 Type cbc:ElectronicMailType Info req.ID tir01-085 Bus req.ID tbr01-020	Term name Contact email address BII Usage <i>The e-mail address for the contact person. If the person has a direct e-mail this is that email.</i>
cac:AccountingCustomerParty	Occurrence 0 .. 1 Type cac:CustomerPartyType	
cac:Party	Occurrence 1 .. 1 Type cac:PartyType	
cbc:EndpointID	Occurrence 0 .. 1 Type cbc:EndpointIDType Info req.ID tir01-157	Term name Endpoint identifier BII Usage <i>Identifies the end point of the routing service.</i> Rules EUGEN-T01-R011 - An endpoint identifier MUST have a scheme identifier attribute
schemeID	Type <i>xs:normalizedString</i> Use <i>required</i>	Rules <i>OP-T01-004 - An Endpoint Identifier Scheme MUST be from the list of PEPPOL Party Identifiers.</i> Code List ID: <i>PEPPOL:PartyIdentifier</i>
cac:PartyIdentification	Occurrence 0 .. 1	

Element/Attribute	Description	Usage
cbc:ID	<p>Type cac:PartyIdentificationType</p> <p>Occurrence 1 .. 1</p> <p>Type cbc:IDType</p> <p>Info req.ID tir01-156</p>	<p>Term name Party identification</p> <p>BII Usage <i>An identification for the invoicee party.</i></p> <p>Rules EUGEN-T01-R012 - A party identifier MUST have a scheme identifier attribute</p>
schemeID	<p>Type xs:normalizedString</p> <p>Use required</p>	<p>Rules OP-T01-005 - A Party Identifier Scheme MUST be from the list of PEPPOL Party Identifiers.</p> <p>Code List ID: PEPPOL:PartyIdentifier</p>
cac:PartyName	<p>Occurrence 0 .. 1</p> <p>Type cac:PartyNameType</p>	
cbc:Name	<p>Occurrence 1 .. 1</p> <p>Type cbc:NameType</p> <p>Info req.ID tir01-155</p>	<p>Term name Party name</p> <p>BII Usage <i>The name of the party who should be invoiced for the ordered items.</i></p>
cac:PostalAddress	<p>Occurrence 0 .. 1</p> <p>Type cac:AddressType</p>	
cbc:StreetName	<p>Occurrence 0 .. 1</p> <p>Type cbc:StreetNameType</p> <p>Info req.ID OP-T01-010</p> <p>Example The main address line in the postal address, usually the</p>	<p>Term name Address line 1</p> <p>BII Usage <i>The main address line in a postal address usually the street name and number.</i></p>
cbc:AdditionalStreetName	<p>Occurrence 0 .. 1</p> <p>Type cbc:AdditionalStreetNameType</p> <p>Info req.ID OP-T01-010</p>	<p>Term name Address line 2</p> <p>BII Usage <i>An additional address line in a postal address that can be used to give further details supplementing the main line. Common use are secondary house number in a complex or in a building.</i></p>
cbc:CityName	<p>Occurrence 0 .. 1</p> <p>Type cbc:CityNameType</p> <p>Info req.ID OP-T01-010</p>	<p>Term name City</p> <p>BII Usage <i>The common name of the city where the postal address is. The name is written in full rather than as a code.</i></p>
cbc:PostalZone	<p>Occurrence 0 .. 1</p> <p>Type cbc:PostalZoneType</p> <p>Info req.ID OP-T01-010</p>	<p>Term name Post code</p> <p>BII Usage <i>The identifier for an addressable group of properties according to the relevant national postal service, such as a ZIP code or Post Code.</i></p>
cbc:CountrySubentity	<p>Occurrence 0 .. 1</p> <p>Type cbc:CountrySubentityType</p> <p>Info req.ID OP-T01-010</p>	<p>Term name Country subdivision</p> <p>BII Usage <i>For specifying a region, county, state, province etc. within a country by using text.</i></p>
cac:Country	<p>Occurrence 0 .. 1</p> <p>Type cac:CountryType</p>	

Element/Attribute	Description	Usage
cbc:IdentificationCode	<p>Occurrence 1 .. 1</p> <p>Type cbc:IdentificationCodeType</p> <p>Info req.ID OP-T01-010</p>	<p>Term name Country</p> <p>BII Usage <i>The country where the address is. The country should always be given by using ISO code 3166 alpha 2</i></p> <p>Rules OP-T01-006 - Country codes in an order MUST be coded using ISO code list 3166-1 EUGEN-T01-R015 - A country identification code MUST have a code list identifier attribute "ISO3166-1:Alpha2"</p>
listID	<p>Type xs:normalizedString</p> <p>Use <i>required</i></p>	<p>Code List ID: ISO3166-1:Alpha2</p>
cac:PartyTaxScheme	<p>Occurrence 0 .. 1</p> <p>Type cac:PartyTaxSchemeType</p>	
cbc:CompanyID	<p>Occurrence 1 .. 1</p> <p>Type cbc:CompanyIDType</p> <p>Info req.ID OP-T01-010</p>	<p>Term name Invoicee VAT identifier</p> <p>BII Usage <i>The invoicees registered Value Added Tax identifier</i></p>
cac:TaxScheme	<p>Occurrence 1 .. 1</p> <p>Type cac:TaxSchemeType</p>	
cbc:ID	<p>Occurrence 1 .. 1</p> <p>Type cbc:IDType</p> <p>Info req.ID OP-T01-010</p> <p>Example VAT</p>	<p>Term name Identifier</p> <p>BII Usage <i>Code for TaxScheme. VAT is the only allowed value</i></p>
cac:PartyLegalEntity	<p>Occurrence 0 .. 1</p> <p>Type cac:PartyLegalEntityType</p>	
cbc:RegistrationName	<p>Occurrence 0 .. 1</p> <p>Type cbc:RegistrationNameType</p> <p>Info req.ID tir01-159</p>	<p>Term name Legal registration name</p> <p>BII Usage <i>The official name of the party as registered with the relevant fiscal authority.</i></p>
cbc:CompanyID	<p>Occurrence 0 .. 1</p> <p>Type cbc:CompanyIDType</p> <p>Info req.ID tir01-158</p>	<p>Term name Company ID</p> <p>BII Usage <i>Identifies a company as registered with the company registration scheme.</i></p>
cac:RegistrationAddress	<p>Occurrence 0 .. 1</p> <p>Type cac:AddressType</p>	
cbc:CityName	<p>Occurrence 0 .. 1</p> <p>Type cbc:CityNameType</p> <p>Info req.ID tir01-160</p>	<p>Term name City name</p> <p>BII Usage <i>Associates with the registered address of the party within a Corporate Registration Scheme. The name of a city, town, or village.</i></p>
cac:Country	<p>Occurrence 0 .. 1</p> <p>Type cac:CountryType</p>	

Element/Attribute	Description	Usage
cbc:IdentificationCode	Occurrence 1 .. 1 Type cbc:IdentificationCodeType Info req.ID tir01-161	Term name Country code BII Usage Invoicee legal registration address country ID Rules OP-T01-006 - Country codes in an order MUST be coded using ISO code list 3166-1 EUGEN-T01-R015 - A country identification code MUST have a code list identifier attribute "ISO3166-1:Alpha2"
<i>listID</i>	Type xs:normalizedString Use required	Code List ID: ISO3166-1:Alpha2
cac:Contact	Occurrence 0 .. 1 Type cac:ContactType	
cbc:ID	Occurrence 0 .. 1 Type cbc:IDType Info req.ID OP-T01-010	Term name Contact identifier BII Usage Reference to invoicee contact
cac:Delivery	Occurrence 0 .. 1 Type cac:DeliveryType	
cac:DeliveryLocation	Occurrence 0 .. 1 Type cac:LocationType	
cac:Address	Occurrence 0 .. 1 Type cac:AddressType	
cbc:ID	Occurrence 0 .. 1 Type cbc:IDType Info req.ID tir01-169 Bus req.ID tbr01-021	Term name Delivery location ID BII Usage An identifier for the location to where the ordered items should be delivered.
<i>schemeID</i>	Type xs:normalizedString Use optional	
cbc:StreetName	Occurrence 0 .. 1 Type cbc:StreetNameType Info req.ID tir01-092 Bus req.ID tbr01-021	Term name Address line 1 BII Usage The main address line in a postal address usually the street name and number.
cbc:AdditionalStreetName	Occurrence 0 .. 1 Type cbc:AdditionalStreetNameType Info req.ID tir01-093 Bus req.ID tbr01-021	Term name Address line 2 BII Usage An additional address line in a postal address that can be used to give further details supplementing the main line. Common use are secondary house number in a complex or in a building.
cbc:CityName	Occurrence 0 .. 1 Type cbc:CityNameType Info req.ID tir01-096 Bus req.ID tbr01-021	Term name City BII Usage The common name of the city where the postal address is. The name is written in full rather than as a code.
cbc:PostalZone	Occurrence 0 .. 1 Type cbc:PostalZoneType Info req.ID tir01-097 Bus req.ID tbr01-021	Term name Post code BII Usage The identifier for an addressable group of properties according to the relevant national postal service, such as a ZIP code or Post Code.

Element/Attribute	Description	Usage
cbc:CountrySubentity	<p>Occurrence 0 .. 1</p> <p>Type cbc:CountrySubentityType</p> <p>Info req.ID tir01-144</p> <p>Bus req.ID tbr01-021</p>	<p>Term name Country subdivision</p> <p>BII Usage For specifying a region, county, state, province etc. within a country by using text.</p>
cac:Country	<p>Occurrence 0 .. 1</p> <p>Type cac:CountryType</p>	
cbc:IdentificationCode	<p>Occurrence 1 .. 1</p> <p>Type cbc:IdentificationCodeType</p> <p>Info req.ID tir01-098</p> <p>Bus req.ID tbr01-021</p>	<p>Term name Country code</p> <p>BII Usage The country where the address is. The country should always be given by using ISO code 3166 alpha 2</p> <p>Rules OP-T01-006 - Country codes in an invoice MUST be coded using ISO code list 3166-1 EUGEN-T01-R015 - A country identification code MUST have a code list identifier attribute "ISO3166-1:Alpha2"</p>
listID	<p>Type xs:normalizedString</p> <p>Use required</p>	<p>Code List ID: ISO3166-1:Alpha2</p>
cac:RequestedDeliveryPeriod	<p>Occurrence 0 .. 1</p> <p>Type cac:PeriodType</p>	
cbc:StartDate	<p>Occurrence 0 .. 1</p> <p>Type cbc:StartDateType</p> <p>Info req.ID tir01-099</p> <p>Bus req.ID tbr01-023</p>	<p>Term name Period start date</p> <p>BII Usage The date on which the period starts. The start dates counts as part of the period.</p>
cbc:EndDate	<p>Occurrence 0 .. 1</p> <p>Type cbc:EndDateType</p> <p>Info req.ID tir01-100</p> <p>Bus req.ID tbr01-023</p>	<p>Term name Period end date</p> <p>BII Usage The date on which the period ends. The end date counts as part of the period.</p>
cac:DeliveryParty	<p>Occurrence 0 .. 1</p> <p>Type cac:PartyType</p>	
cac:PartyIdentification	<p>Occurrence 0 .. 1</p> <p>Type cac:PartyIdentificationType</p>	
cbc:ID	<p>Occurrence 1 .. 1</p> <p>Type cbc:IDType</p> <p>Info req.ID tir01-101</p> <p>Bus req.ID tbr01-021</p>	<p>Term name Delivery party ID</p> <p>BII Usage An identifier for the party that should deliver the ordered items. In this BIS: The identifier of the party that should receive the ordered items</p>
schemeID	<p>Type xs:normalizedString</p> <p>Use required</p>	<p>Rules OP-T01-005 - An Party Identifier Scheme MUST be from the list of PEPPOL Party Identifiers.</p> <p>Code List ID: PEPPOL:PartyIdentifier</p>
cac:PartyName	<p>Occurrence 0 .. 1</p> <p>Type cac:PartyNameType</p>	
cbc:Name	<p>Occurrence 1 .. 1</p> <p>Type cbc:NameType</p> <p>Info req.ID tir01-102</p> <p>Bus req.ID tbr01-021</p>	<p>Term name Delivery party name</p> <p>BII Usage The name of the party that should handle the delivery. In this BIS: The name of the party that should receive the delivery</p>
cac:Contact	<p>Occurrence 0 .. 1</p>	

Element/Attribute	Description	Usage
cbc:Name	Type cac:ContactType Occurrence 0 .. 1 Type cbc:NameType Info req.ID tir01-103 Bus req.ID tbr01-021	Term name Contact person name BII Usage <i>The name of the contact person.</i>
cbc:Telephone	Occurrence 0 .. 1 Type cbc:TelephoneType Info req.ID tir01-104 Bus req.ID tbr01-021	Term name Contact telephone number BII Usage <i>A phone number for the contact person. If the person has a direct number, this is that number.</i>
cbc:Telefax	Occurrence 0 .. 1 Type cbc:TelefaxType Info req.ID tir01-105 Bus req.ID tbr01-021	Term name Contact fax number BII Usage <i>A fax number for the contact persons.</i>
cbc:ElectronicMail	Occurrence 0 .. 1 Type cbc:ElectronicMailType Info req.ID tir01-106 Bus req.ID tbr01-021	Term name Contact email address BII Usage <i>The e-mail address for the contact person. If the person has a direct e-mail this is that email.</i>
cac:DeliveryTerms	Occurrence 0 .. 1 Type cac:DeliveryTermsType	
cbc:ID	Occurrence 0 .. 1 Type cbc:IDType Info req.ID tir01-107 Bus req.ID tbr01-038	Term name Delivery terms BII Usage <i>The ability for the buyer to specify what shipping terms should apply the delivery of the order.</i>
schemeID	Type <i>xs:normalizedString</i> Use <i>optional</i>	
cbc:SpecialTerms	Occurrence 0 .. 1 Type cbc:SpecialTermsType Info req.ID tir01-108 Bus req.ID tbr01-038	Term name Delivery special terms BII Usage <i>A description of special conditions relating to the Delivery Terms.</i>
cac:DeliveryLocation	Occurrence 0 .. 1 Type cac:LocationType	
cbc:ID	Occurrence 0 .. 1 Type cbc:IDType Info req.ID tir01-109 Bus req.ID tbr01-038	Term name Delivery terms location BII Usage <i>An association to Location, e.g., a port. The unique identifier for the location.</i>
cac:PaymentTerms	Occurrence 0 .. 1 Type cac:PaymentTermsType	
cbc:Note	Occurrence 0 .. 1 Type cbc:NoteType Info req.ID OP-T01-014	Term name Payment terms BII Usage <i>Payment terms for the order described in text</i>
cac:AllowanceCharge	Occurrence 0 .. unbounded Type cac:AllowanceChargeType	

Element/Attribute	Description	Usage
cbc:ChargeIndicator	Occurrence 1 .. 1 Type cbc:ChargeIndicatorType Info req.ID 4 Example False	Term name AllowanceChargeIndicator BII Usage True = Charge, False = Allowance
cbc:AllowanceChargeReason	Occurrence 1 .. 1 Type cbc:AllowanceChargeReasonType Info req.ID tir01-112 Bus req.ID tbr01-030	Term name Allowance and charges reason BII Usage A textual reason for the allowance or the charge. Can also be its name. Rules BII2-T01-R007 - Allowances and charges MUST have a reason
cbc:Amount	Occurrence 1 .. 1 Type cbc:AmountType Info req.ID tir01-113 Bus req.ID tbr01-030	Term name Allowance and charge amount BII Usage The net amount of the allowance or the charge excluding VAT.
currencyID	Type xs:normalizedString Use required	Rules 4217 Code List ID: ISO4217 OP-T01-007 - currencyID MUST be coded using ISO code list
cac:TaxTotal	Occurrence 0 .. 1 Type cac:TaxTotalType	
cbc:TaxAmount	Occurrence 1 .. 1 Type cbc:TaxAmountType Info req.ID tir01-114 Bus req.ID tbr01-024	Term name VAT total amount BII Usage The total VAT amount that is "added to the document total w/o VAT". This is the sum of all VAT subcategory amounts. An association to the total tax amount of the Order (as calculated by the Buyer). The expected Tax Total in the corresponding invoice.. The total tax amount for particular tax scheme e.g. VAT; the sum of each of the tax subtotals for each tax category within the tax scheme. Sum of line tax amounts. An association to the total tax amount of the Order (as calculated by the Buyer). The expected Tax Total in the corresponding invoice. Rules BII2-T01-R018 - VAT total amount SHOULD be the sum of order line tax amounts, if order line tax amounts are provided
currencyID	Type xs:normalizedString Use required	Rules 4217 Code List ID: ISO4217 OP-T01-007 - currencyID MUST be coded using ISO code list
cac:AnticipatedMonetaryTotal	Occurrence 0 .. 1 Type cac:MonetaryTotalType	

Element/Attribute	Description	Usage
cbc:LineExtensionAmount	Occurrence 1 .. 1 Type cbc:LineExtensionAmountType Info req.ID tir01-115 Bus req.ID tbr01-024	Term name Sum of line amounts BII Usage <i>Sum of line amounts in the document. The total of Line Extension Amounts net of tax and settlement discounts, but inclusive of any applicable rounding amount.</i> Rules BII2-T01-R013 - Expected total sum of line amounts MUST NOT be negative, if expected total sum of line amounts is provided. BII2-T01-R014 - Expected total sum of line amounts MUST equal the sum of the order line amounts at order line level, if expected total sum of line amounts is provided
currencyID	Type xs:normalizedString Use required	Rules 4217 Code List ID: ISO4217 OP-T01-007 - currencyID MUST be coded using ISO code list
cbc:TaxExclusiveAmount	Occurrence 0 .. 1 Type cbc:TaxExclusiveAmountType Info req.ID tir01-145 Bus req.ID tbr01-004	Term name Document total without VAT BII Usage <i>The "Sum of line amounts" plus "sum of allowances on document level" plus "sum of charges on document level".</i>
currencyID	Type xs:normalizedString Use required	Rules 4217 Code List ID: ISO4217 OP-T01-007 - currencyID MUST be coded using ISO code list
cbc:TaxInclusiveAmount	Occurrence 0 .. 1 Type cbc:TaxInclusiveAmountType Info req.ID tir01-147 Bus req.ID tbr01-004	Term name Document total including VAT BII Usage <i>The total value including VAT</i>
currencyID	Type xs:normalizedString Use required	Rules 4217 Code List ID: ISO4217 OP-T01-007 - currencyID MUST be coded using ISO code list
cbc:AllowanceTotalAmount	Occurrence 0 .. 1 Type cbc:AllowanceTotalAmountType Info req.ID tir01-116 Bus req.ID tbr01-024	Term name Sum of allowances on document level BII Usage <i>Sum of all allowances on header level in the document. Allowances on line level are included in the line amount and summed up into the "sum of line amounts"</i> Rules BII2-T01-R015 - Expected total sum of allowance at document level MUST be equal to the sum of allowance amounts at document level, if expected total sum of allowance at document level is provided
currencyID	Type xs:normalizedString Use required	Rules 4217 Code List ID: ISO4217 OP-T01-007 - currencyID MUST be coded using ISO code list

Element/Attribute	Description	Usage
cbc:ChargeTotalAmount	Occurrence 0 .. 1 Type cbc:ChargeTotalAmountType Info req.ID tir01-117 Bus req.ID tbr01-024	Term name Sum of charges on document level BII Usage Sum of all charge on header level in the document. Charges on line level are included in the line amount and summed up into the "sum of line amounts" Rules BII2-T01-R016 - Expected total sum of charges at document level MUST be equal to the sum of charges at document level, if expected total sum of charges at document level is provided
currencyID	Type xs:normalizedString Use required	Rules 4217 Code List ID: ISO4217 Usage OP-T01-007 - currencyID MUST be coded using ISO code list
cbc:PrepaidAmount	Occurrence 0 .. 1 Type cbc:PrepaidAmountType Info req.ID tir01-148 Bus req.ID tbr01-035	Term name Paid amounts BII Usage Any amounts that have been paid a-priori.
currencyID	Type xs:normalizedString Use required	Rules 4217 Code List ID: ISO4217 Usage OP-T01-007 - currencyID MUST be coded using ISO code list
cbc:PayableRoundingAmount	Occurrence 0 .. 1 Type cbc:PayableRoundingAmountType Info req.ID tir01-146 Bus req.ID tbr01-004	Term name Rounding of document total BII Usage Any rounding of the "Document total including VAT"
currencyID	Type xs:normalizedString Use required	Rules 4217 Code List ID: ISO4217 Usage OP-T01-007 - currencyID MUST be coded using ISO code list
cbc:PayableAmount	Occurrence 1 .. 1 Type cbc:PayableAmountType Info req.ID tir01-118 Bus req.ID tbr01-024	Term name Amount for payment BII Usage The amount that is expected to be paid based on the document. This amount is the "Document total including VAT" less the "paid amounts" that have been paid a-priori. The total amount to be paid. Estimated total amount of order including VAT Rules BII2-T01-R017 - Expected total amount for payment MUST be equal to the sum of line amounts minus sum of allowances at document level plus sum of charges at document level and VAT total amount, if expected total amount for payment is provided, BII2-T01-R012 - Expected total amount for payment MUST NOT be negative, if expected total amount for payment is provided
currencyID	Type xs:normalizedString Use required	Rules 4217 Code List ID: ISO4217 Usage OP-T01-007 - currencyID MUST be coded using ISO code list
cac:OrderLine	Occurrence 1 .. unbounded Type cac:OrderLineType	

Element/Attribute	Description	Usage
cbc:Note	Occurrence 0 .. 1 Type cbc:NoteType Info req.ID tir01-123 Bus req.ID tbr01-003	Term name Order line note BII Usage Free-form text applying to the Order Line. This element may contain notes or any other similar information that is not contained explicitly in another structure. Is to capture any free form description related to the order line as a whole.
cac:LineItem	Occurrence 1 .. 1 Type cac:LineItemType	
cbc:ID	Occurrence 1 .. 1 Type cbc:IDType Info req.ID tir01-120 Bus req.ID tbr01-025	Term name Document line identifier BII Usage Identifies the Line Item assigned by the buyer. Rules BII2-T01-R003 - Each order line MUST have a document line identifier that is unique within the order
cbc:Quantity	Occurrence 1 .. 1 Type cbc:QuantityType Info req.ID tir01-132 Bus req.ID tbr01-028	Term name Ordered quantity BII Usage The quantity of Items for the Line Item. The quantity for the order line. Rules BII2-T01-R010 - Each order line ordered quantity MUST not be negative, BII2-T01-R029 - Each order line SHOULD have an ordered quantity, BII2-T01-R030 - Each order line ordered quantity MUST have an associated unit of measure.
unitCode	Type xs:normalizedString Use required	Rules OP-T01-009 - Unit code MUST be coded according to the UN/ECE Recommendation 20 (2009) EUGEN-T01-R016 - A unit code attribute MUST have a unit code list identifier attribute "UNECREC20"
unitCodeListID	Type xs:normalizedString Use required	Code List ID: UNECERec20
cbc:LineExtensionAmount	Occurrence 0 .. 1 Type cbc:LineExtensionAmountType Info req.ID tir01-128 Bus req.ID tbr01-024	Term name Order line amount BII Usage The total amount for the Line Item, including Allowance Charges but net of taxes. The expected line amount excluding VAT but inclusive of other charges, allowances and taxes.
currencyID	Type xs:normalizedString Use required	Rules OP-T01-007 - currencyID MUST be coded using ISO code list 4217 Code List ID: ISO4217
cbc:TotalTaxAmount	Occurrence 0 .. 1 Type cbc:TotalTaxAmountType Info req.ID tir01-129 Bus req.ID tbr01-024	Term name Order line tax amount BII Usage The total tax amount for the Line Item. The total amounts of taxes on the line.
currencyID	Type xs:normalizedString Use required	Rules OP-T01-007 - currencyID MUST be coded using ISO code list 4217 Code List ID: ISO4217

Element/Attribute	Description	Usage
cbc:PartialDeliveryIndicator	Occurrence 0 .. 1 Type cbc:PartialDeliveryIndicatorType Info req.ID tir01-124 Bus req.ID tbr01-033 Default True	Term name Partial Delivery Allowed Indicator BII Usage <i>Indicates if the line items must be delivered in a single shipment. Default that partial delivery is allowed.</i>
cbc:AccountingCost	Occurrence 0 .. 1 Type cbc:AccountingCostType Info req.ID tir01-125 Bus req.ID tbr01-0	Term name Buyers accounting string BII Usage <i>The buyer's accounting information applied to the Line Item, expressed as text.</i>
cac:Delivery	Occurrence 0 .. 1 Type cac:DeliveryType	
cac:RequestedDeliveryPeriod	Occurrence 0 .. 1 Type cac:PeriodType	
cbc:StartDate	Occurrence 0 .. 1 Type cbc:StartDateType Info req.ID tir01-126 Bus req.ID tbr01-022	Term name Period start date BII Usage <i>The date on which the period starts. The start dates counts as part of the period.</i>
cbc:EndDate	Occurrence 0 .. 1 Type cbc:EndDateType Info req.ID tir01-127 Bus req.ID tbr01-022	Term name Period end date BII Usage <i>The date on which the period ends. The end date counts as part of the period.</i>
cac:OriginatorParty	Occurrence 0 .. 1 Type cac:PartyType	
cac:PartyIdentification	Occurrence 0 .. 1 Type cac:PartyIdentificationType	
cbc:ID	Occurrence 1 .. 1 Type cbc:IDType Info req.ID tir01-121 Bus req.ID tbr01-020	Term name Order line originator party ID BII Usage <i>The party who originated Order.</i>
schemeID	Type xs:normalizedString Use required	Rules OP-T01-005 - A Party Identifier Scheme MUST be from the list of PEPPOL Party Identifiers. Code List ID: PEPPOL:PartyIdentifier
cac:PartyName	Occurrence 0 .. 1 Type cac:PartyNameType	
cbc:Name	Occurrence 1 .. 1 Type cbc:NameType Info req.ID tir01-122 Bus req.ID tbr01-020	Term name Order line originator party name BII Usage <i>The party who originated Order.</i>
cac:Price	Occurrence 0 .. 1 Type cac:PriceType	

Element/Attribute	Description	Usage
cbc:PriceAmount	Occurrence 1 .. 1 Type cbc:PriceAmountType Info req.ID tir01-130 Bus req.ID tbr01-0	Term name Item price BII Usage <i>The net price of an item including discounts or surcharges that apply to the price. Although price is an optional element in an order it recommended as best practice to either state the price or provide reference to an appropriate source from which the price can be identified such as a contract, catalogue or a quote.. The price amount. The net price of the item including all allowances, charges and taxes but excluding VAT.</i> Rules BII2-T01-R011 - Each order line item net price MUST not be negative
currencyID	Type xs:normalizedString Use required	Rules 4217 Code List ID: ISO4217 Usage OP-T01-007 - currencyID MUST be coded using ISO code list
cbc:BaseQuantity	Occurrence 0 .. 1 Type cbc:BaseQuantityType Info req.ID tir01-131 Bus req.ID tbr01-027	Term name Item price base quantity BII Usage <i>The actual quantity to which the price applies.</i>
unitCode	Type xs:normalizedString Use required	Rules OP-T01-009 - Unit code MUST be coded according to the UN/ECE Recommendation 20 (2009) EUGEN-T01-R016 - A unit code attribute MUST have a unit code list identifier attribute "UNECREC20"
unitCodeListID	Type xs:normalizedString Use required	Code List ID: UNECERec20
cac:AllowanceCharge	Occurrence 0 .. 1 Type cac:AllowanceChargeType	
cbc:ChargeIndicator	Occurrence 1 .. 1 Type cbc:ChargeIndicatorType Info req.ID 4 Example False	Term name AllowanceChargeIndicator BII Usage <i>True = Charge, False = Allowance</i>
cbc:Amount	Occurrence 1 .. 1 Type cbc:AmountType Info req.ID 6	Term name Amount BII Usage <i>The net amount for the allowance charge connected to the price</i>
currencyID	Type xs:normalizedString Use required	Rules 4217 Code List ID: ISO4217 Usage OP-T01-007 - currencyID MUST be coded using ISO code list
cbc:BaseAmount	Occurrence 0 .. 1 Type cbc:BaseAmountType Info req.ID tir01-152 Bus req.ID tbr01-035	Term name Item list price BII Usage <i>The gross price of the item before subtracting discounts. E.g. list price.</i>
currencyID	Type xs:normalizedString Use required	Rules 4217 Code List ID: ISO4217 Usage OP-T01-007 - currencyID MUST be coded using ISO code list
cac:Item	Occurrence 1 .. 1	

Element/Attribute	Description	Usage
cbc:Description	<p>Type cac:ItemType</p> <p>Occurrence 0 .. 1</p> <p>Type cbc:DescriptionType</p> <p>Info req.ID tir01-133</p> <p>Bus req.ID tbr01-029</p>	<p>Term name Item description as text</p> <p>BII Usage <i>Free-form field that can be used to give a text description of the item. A detailed description of the item. Use one description per language.</i></p> <p><i>Test text for capturing notes</i></p>
cbc:Name	<p>Occurrence 0 .. 1</p> <p>Type cbc:NameType</p> <p>Info req.ID tir01-134</p> <p>Bus req.ID tbr01-029</p>	<p>Term name Item name</p> <p>BII Usage <i>A short name for an item.</i></p> <p><i>A short name optionally given to an item, such as a name from a Catalogue, as distinct from a description.</i></p> <p>Rules BII2-T01-R031 - Each order line MUST have an item identifier and/or an item name</p>
cac:SellersItemIdentification	<p>Occurrence 0 .. 1</p> <p>Type cac:ItemIdentificationType</p>	
cbc:ID	<p>Occurrence 1 .. 1</p> <p>Type cbc:IDType</p> <p>Info req.ID tir01-135</p> <p>Bus req.ID tbr01-029</p>	<p>Term name Item sellers identifier</p> <p>BII Usage <i>The sellers identifier for the item.</i></p> <p><i>Associates the item with its identification according to the seller's system. The sellers ID for the item.</i></p> <p>Rules BII2-T01-R031 - Each order line MUST have an item identifier and/or an item name</p>
cac:StandardItemIdentification	<p>Occurrence 0 .. 1</p> <p>Type cac:ItemIdentificationType</p>	
cbc:ID	<p>Occurrence 1 .. 1</p> <p>Type cbc:IDType</p> <p>Info req.ID tir01-136</p> <p>Bus req.ID tbr01-029</p>	<p>Term name Item standard identifier</p> <p>BII Usage <i>A item identifier based on a registered schema.</i></p> <p><i>Associates the item with its identification according to a standard system. Standardized ID for the item</i></p> <p>Rules BII2-T01-R031 - Each order line MUST have an item identifier and/or an item name.</p>
schemeID	<p>Type xs:normalizedString</p> <p>Use optional</p>	
cac:ItemSpecificationDocumentReference	<p>Occurrence 0 .. unbounded</p> <p>Type cac:DocumentReferenceType</p>	
cbc:ID	<p>Occurrence 1 .. 1</p> <p>Type cbc:IDType</p> <p>Info req.ID OP-T01-012</p>	<p>Term name Document reference</p> <p>BII Usage <i>Reference to an external document (ID) when it is necessary to specify the details of the item.</i></p>
cac:CommodityClassification	<p>Occurrence 0 .. unbounded</p> <p>Type cac:CommodityClassificationType</p>	

Element/Attribute	Description	Usage
cbc:ItemClassificationCode	Occurrence 1 .. 1 Type cbc:ItemClassificationCodeType Info req.ID tir01-149 Bus req.ID tbr01-0	Term name Item commodity classification BII Usage <i>A classification code for classifying the item by its type or nature.</i>
<i>listID</i>	Type xs:normalizedString Use optional	
cac:ClassifiedTaxCategory	Occurrence 0 .. 1 Type cac:TaxCategoryType	
cbc:ID	Occurrence 1 .. 1 Type cbc:IDType Info req.ID tir01-150 Bus req.ID tbr01-0	Term name Item VAT category code BII Usage <i>The VAT code that indicates what VAT details apply to the item.</i>
<i>schemeID</i>	Type xs:normalizedString Use required	Rules EUGEN-T01-R017 - A tax category identifier MUST have a scheme identifier attribute "UNECE5305" Rules OP-T01-008 - A tax category identifier scheme MUST be "UNCL5305" Code List ID: UNCL5305
cbc:Percent	Occurrence 0 .. 1 Type cbc:PercentType Info req.ID tir01-170 Bus req.ID tbr01-004	Term name Item VAT rate BII Usage <i>The VAT percentage rate that applies to the ordered item.</i>
cac:TaxScheme	Occurrence 1 .. 1 Type cac:TaxSchemeType	
cbc:ID	Occurrence 1 .. 1 Type cbc:IDType Info req.ID 3 Example VAT	Term name Identifier BII Usage <i>Code for TaxScheme. VAT is the only allowed value</i>
cac:AdditionalItemProperty	Occurrence 0 .. unbounded Type cac:ItemPropertyType	
cbc:Name	Occurrence 1 .. 1 Type cbc:NameType Info req.ID tir01-138 Bus req.ID tbr01-029	Term name Name BII Usage <i>The name of the information.</i>
cbc:Value	Occurrence 1 .. 1 Type cbc:ValueType Info req.ID tir01-139 Bus req.ID tbr01-029	Term name Value BII Usage <i>The value of the information.</i>
cbc:ValueQuantity	Occurrence 0 .. 1 Type cbc:ValueQuantityType Info req.ID OP-T01-013	Term name Quantity BII Usage <i>Property quantity</i>
<i>unitCode</i>	Type xs:normalizedString Use required	Rules <i>Must be a valid code according to code list UN/ECE Rec 20</i>
<i>unitCodeListID</i>	Type xs:normalizedString Use required	Code List ID: UNECERec20

Element/Attribute	Description	Usage	
└─cbc:ValueQualifier	Occurrence 0 .. 1 Type cbc:ValueQualifierType Info req.ID OP-T01-013	Term name BII Usage	Qualification of qty <i>Description of the quantity</i>

12 Appendices

12.1 Appendix A

Sample XML files illustrating Use Case 1.
Sample XML files illustrating Use Case 2.
Sample XML files illustrating Use Case 3.
Sample XML files illustrating Use Case 4.

12.2 Appendix B

Conformance statement.